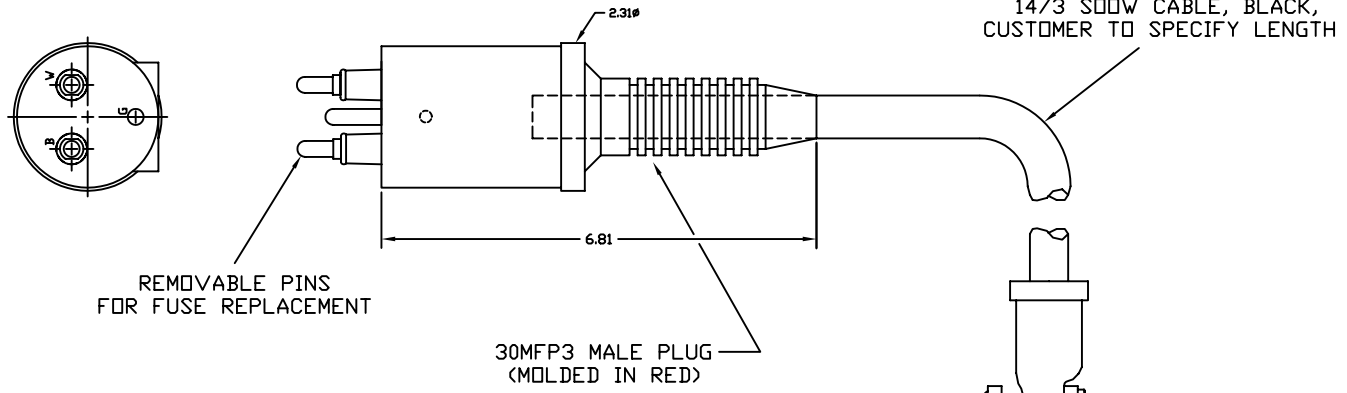
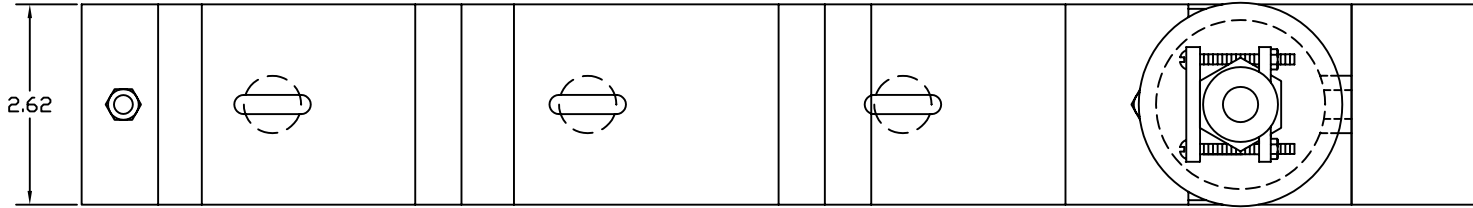
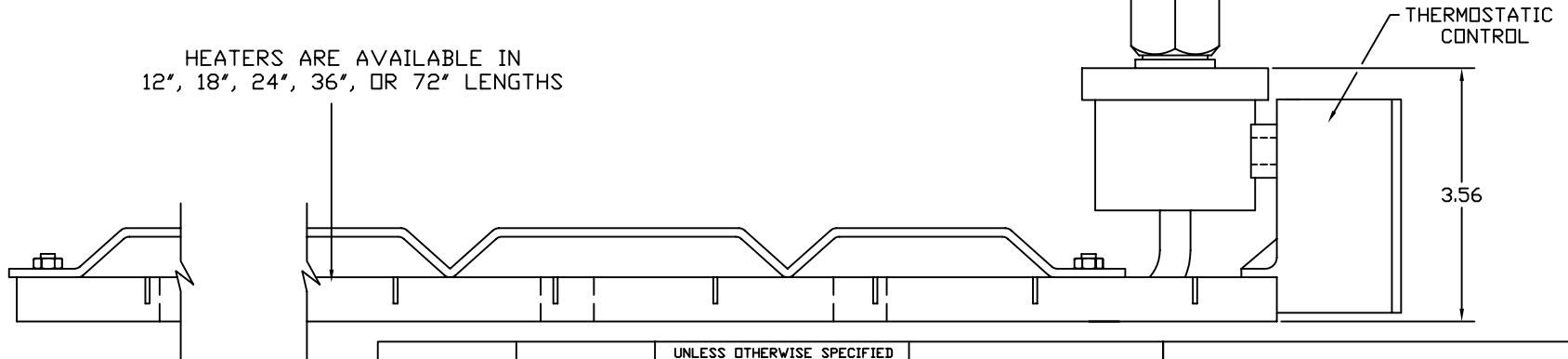



THIS DRAWING/SPECIFICATION CONTAINS PROPRIETARY INFORMATION OF THE J.B. NOTTINGHAM AND CO., INC./DURALINE, WHICH SHALL NOT BE PUBLISHED, REPRODUCED, COPIED, FURTHER DISCLOSED AS THE BASIS OF MANUFACTURE FOR OR SALE OF APPARATUS TO OTHERS THAN THE J.B. NOTTINGHAM AND CO., INC., EXCEPT BY WRITTEN PERMISSION OF A DULY AUTHORIZED REPRESENTATIVE OF SAID COMPANY.

REVISIONS				
ZONE	LTR	DESCRIPTION	DATE	APPROVED



HEATERS ARE AVAILABLE IN 12", 18", 24", 36", OR 72" LENGTHS



UNLESS OTHERWISE SPECIFIED DIMENSIONS ARE IN INCHES TOLERANCES ON FRACTIONS DECIMALS ANGLES		DRAWING STARTED	DATE	THERMOSTATIC STRIP HEATER WITH 30MFP3 MALE FUSE PLUG	
MATERIAL:		DRAWN	DR 7/19/04	 DIV. J.B. NOTTINGHAM 75 HOFFMAN LANE ISLANDIA, NY 11749	
FINISH:		CHECKED			
NEXT ASSY		USED ON			
APPLICATION		SIZE	CODE IDENT NO.	SM3316XY	REV.
		C	16998		
		SCALE		SHEET	