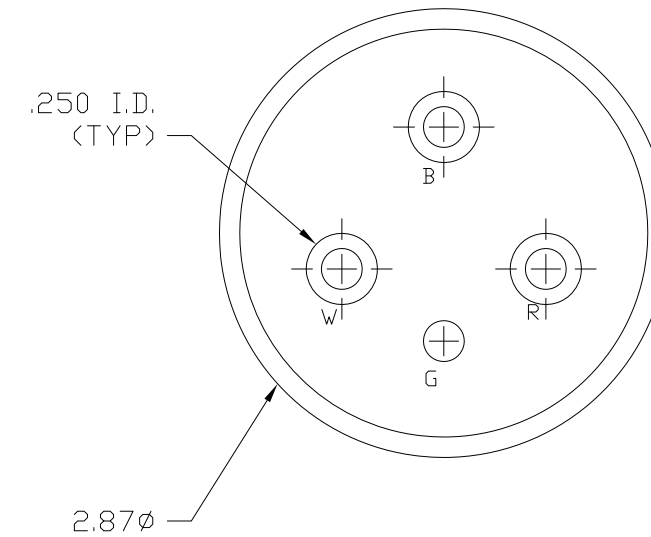
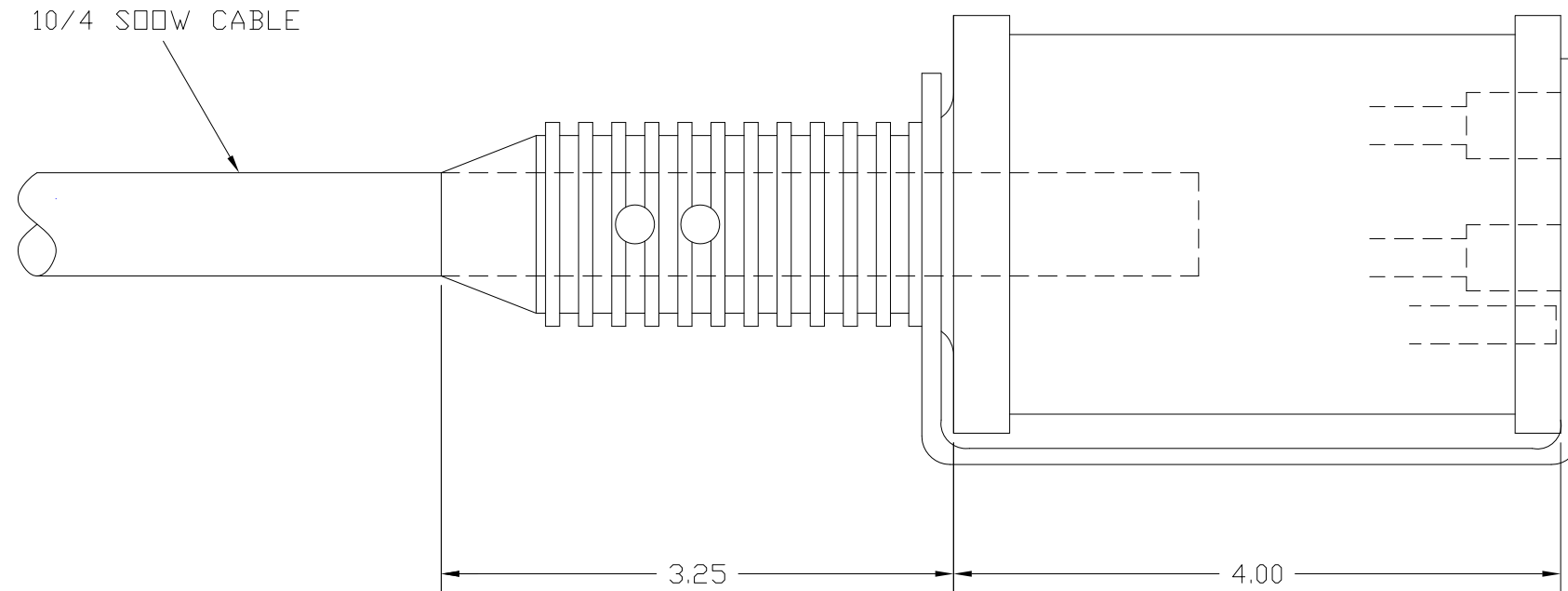




THIS DRAWING/SPECIFICATION CONTAINS PROPRIETARY INFORMATION OF THE J.B. NOTTINGHAM AND CO., INC./DURALINE, WHICH SHALL NOT BE PUBLISHED, REPRODUCED, COPIED, FURTHER DISCLOSED AS THE BASIS OF MANUFACTURE FOR OR SALE OF APPARATUS TO OTHERS THAN THE J.B. NOTTINGHAM AND CO., INC., EXCEPT BY WRITTEN PERMISSION OF A DULY AUTHORIZED REPRESENTATIVE OF SAID COMPANY.

REVISIONS				
ZONE	REV	DESCRIPTION	DATE	APPROVED



DIMENSIONS IN INCHES UNLESS OTHERWISE NOTED. TOLERANCES: FRAC. $\pm \frac{X}{XX}$ DEC. $\pm .XX$ ANG $\pm ^\circ X$		30FP4X FEMALE CONNECTOR		
MATERIAL: CONNECTOR BODY IS MOLDED HYPALON	APPROVALS	DATE	 DIV. OF J.B. NOTTINGHAM 75 HOFFMAN LANE ISLANDIA, NY 11749	
	DRAWN EG	2/1/00		
FINISH:	CHECKED TP	1/31/01	SIZE A	FSCM NO. 16998
	ISSUED		DWG. NO. SM111700	REV.
DO NOT SCALE DRAWING	DR	6/22/04	SCALE	SHEET 1 OF 1