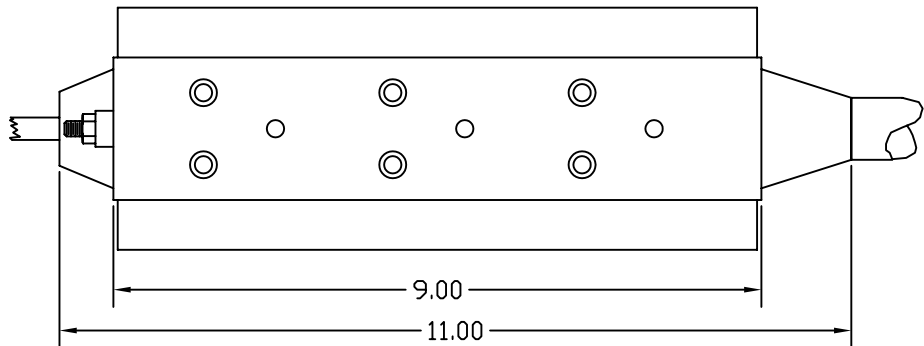
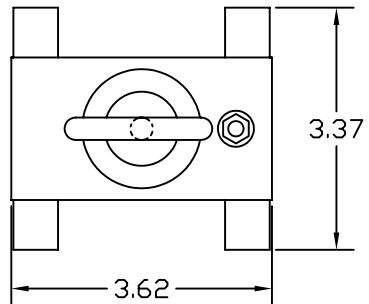
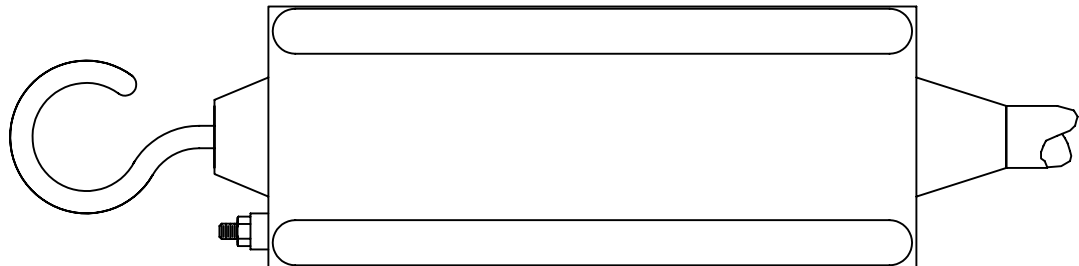


THIS DRAWING/SPECIFICATION
CONTAINS PROPRIETARY
INFORMATION OF THE J.B
NOTTINGHAM AND CO., INC./
DURALINE, WHICH SHALL NOT BE
PUBLISHED, REPRODUCED, COPIED,
FURTHER DISCLOSED AS THE
BASIS OF MANUFACTURE FOR
OR SALE OF APPARATUS TO
OTHERS THAN THE J.B
NOTTINGHAM AND CO., INC.,
EXCEPT BY WRITTEN PERMISSION
OF A DULY AUTHORIZED
REPRESENTATIVE OF SAID
COMPANY.

REVISIONS			
REV.	DESCRIPTION	DATE	APPROVED



QTY.	CODE	PART NUMBER	NOMENCLATURE OR DESCRIPTION	MATERIAL	ITEM
PARTS LIST					
DIMENSIONS IN INCHES UNLESS OTHERWISE NOTED. TOLERANCES:			<div style="display: flex; justify-content: space-between;"> <div style="width: 60%;"> <p>30DB6-4S DISTRIBUTION BLOCK</p> </div> <div style="width: 35%; text-align: right;"> <p>Duraline DIV. J.B. NOTTINGHAM 75 HOFFMAN LANE ISLANDIA, NY 11749</p> </div> </div>		
FRAC.	DEC.	ANG.			
MATERIAL: BODY IS MOLDED HYPALON			DRAWN T.P.	12/04/95	
FINISH:			CHECKED		
			ISSUED		
DO NOT SCALE DRAWING			SCALE		SHEET