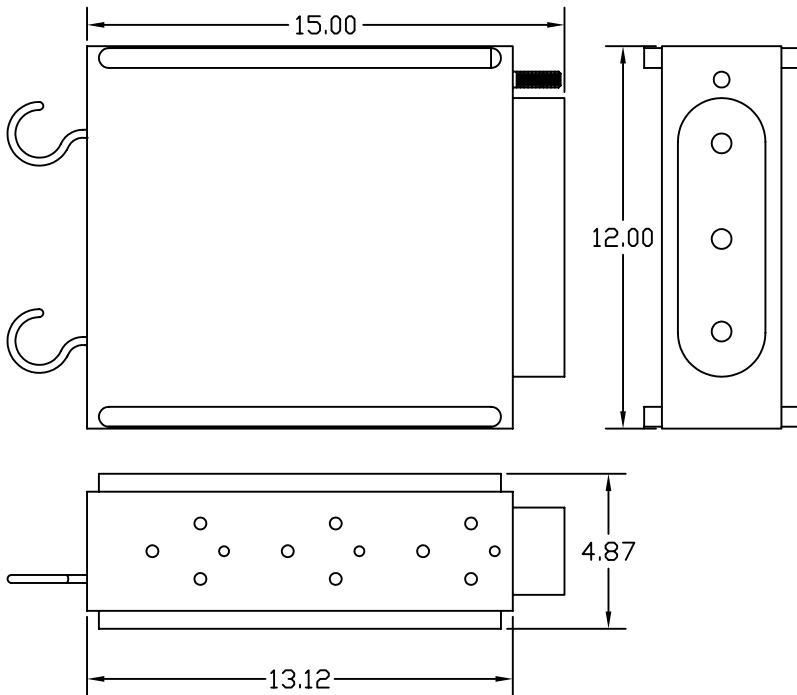



THIS DRAWING/SPECIFICATION
CONTAINS PROPRIETARY
INFORMATION OF THE J.B
NOTTINGHAM AND CO., INC./
DURALINE, WHICH SHALL NOT BE
PUBLISHED, REPRODUCED, COPIED,
FURTHER DISCLOSED AS THE
BASIS OF MANUFACTURE FOR
OR SALE OF APPARATUS TO
OTHERS THAN THE J.B
NOTTINGHAM AND CO., INC.,
EXCEPT BY WRITTEN PERMISSION
OF A DULY AUTHORIZED
REPRESENTATIVE OF SAID
COMPANY.



REVISIONS			
REV.	DESCRIPTION	DATE	APPROVED

DIMENSIONS IN INCHES UNLESS OTHERWISE NOTED. TOLERANCES:		4P6 DISTRIBUTION PANEL			
FRAC.	DEC.	ANG.	APPROVALS	DATE	 DIV. J.B. NOTTINGHAM 75 HOFFMAN LANE ISLANDIA, NY 11749
MATERIAL			DRAWN T.P.	11/30/95	
FINISH			CHECKED		SIZE
			ISSUED		FSCM NO.
					16998
					DWG. NO.
					SM103600
					REV.
DO NOT SCALE DRAWING					SCALE
					SHEET