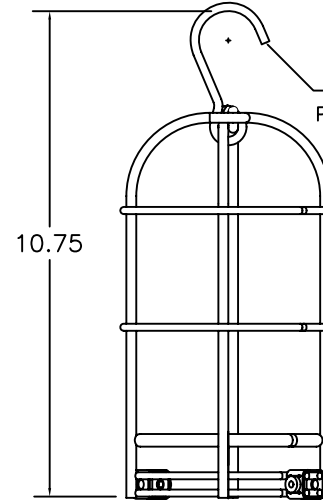
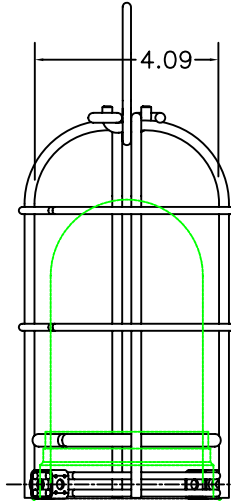
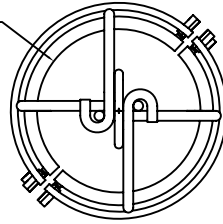


THIS DRAWING/SPECIFICATION CONTAINS PROPRIETARY INFORMATION OF THE J.B. NOTTINGHAM AND CO., INC./DURALINE, WHICH SHALL NOT BE PUBLISHED, REPRODUCED, COPIED, FURTHER DISCLOSED AS THE BASIS OF MANUFACTURE FOR OR SALE OF APPARATUS TO OTHERS THAN THE J.B. NOTTINGHAM AND CO., INC., EXCEPT BY WRITTEN PERMISSION OF A DULY AUTHORIZED REPRESENTATIVE OF SAID COMPANY.


REVISIONS				
ZONE	REV	DESCRIPTION	DATE	APPROVED

TO CONTACT BRASS GROUNDING RING ON LAMP HOLDER



CLEAR ZINC PLATED WIRE LAMP GUARD HOOK P/N 007403

VAPOR PROOF SOCKET ASSEMBLY

DIMENSIONS IN INCHES UNLESS OTHERWISE NOTED. TOLERANCES: FRAC. DEC. ANG.		CLEAR ZINC PLATED STEEL WIRE LAMP GUARD		
MATERIAL:		APPROVALS	DATE	 DIV. OF J.B. NOTTINGHAM 75 HOFFMAN LANE ISLANDIA, NY 11749
FINISH :		DRAWN DR	6/22/05	
DO NOT SCALE DRAWING		CHECKED	ISSUED	
		SIZE A	FSCM NO. 16998	DWG. NO. S007537
		SCALE ~		REV. 1
				SHEET 1 OF 1