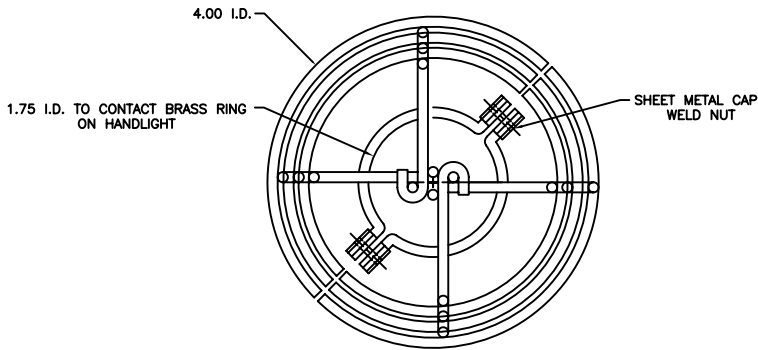
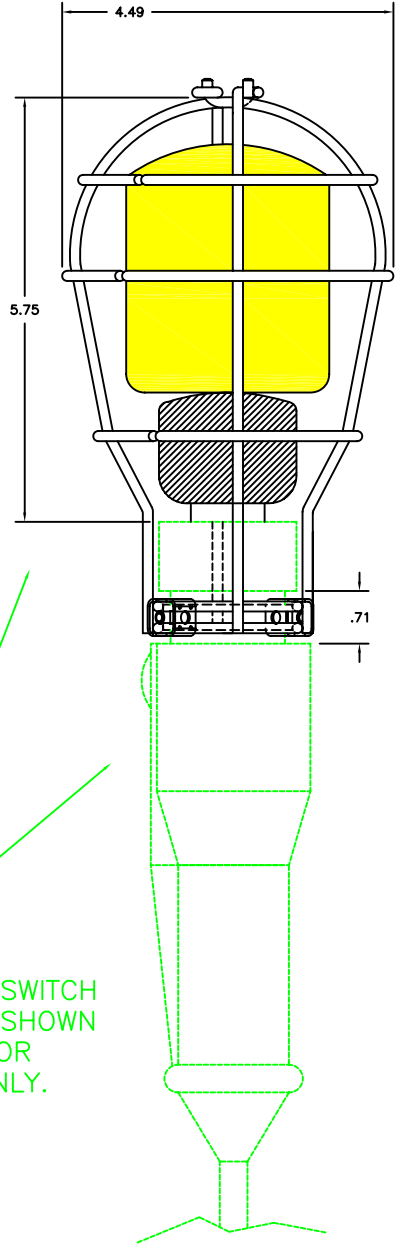


THIS DRAWING/SPECIFICATION CONTAINS PROPRIETARY INFORMATION OF THE J.B. NOTTINGHAM AND COMPANY INC./DURALINE WHICH SHALL NOT BE PUBLISHED, REPRODUCED COPIED, FURTHER DISCLOSED, OR USED AS THE BASIS OF MANUFACTURE FOR OR SALE OF APPARATUS TO OTHERS THAN THE J.B. NOTTINGHAM AND CO. INC., EXCEPT BY WRITTEN PERMISSION OF A DULY AUTHORIZED REPRESENTATIVE OF SAID COMPANY.

REVISIONS				
ZONE	REV	DESCRIPTION	DATE	APPROVED



TOP VIEW



NOTE: .135 DIA. WIRE THROUGHOUT ENTIRE LAMP GUARD

WATERPROOF HANDLIGHT WITH SWITCH AND FLUORESCENT LAMP ARE SHOWN WITH THIS LAMP GUARD FOR ILLUSTRATION PURPOSES ONLY.

DIM'S IN INCHES UNLESS OTHERWISE NOTED.  
TOLERANCES:  
FRAC. ~ DEC. ~ ANGLE ~

MATERIAL:

FINISH:

DRAWN: DR 3/16/05
CHECKED:
APPROVED:
ENGR:

CLEAR ZINC PLATED STEEL WIRE LAMP GUARD FOR USE WITH FLUORESCENT AND INCANDESCENT BULBS

**Duraline**

DIV. OF J.B. NOTTINGHAM  
75 HOFFMAN LANE  
ISLANDIA, NY 11749

SIZE A	CODE IDENT. NO. 16998	DWG. NO. S007517	REV.
SCALE ~	SHEET 1 OF 1		