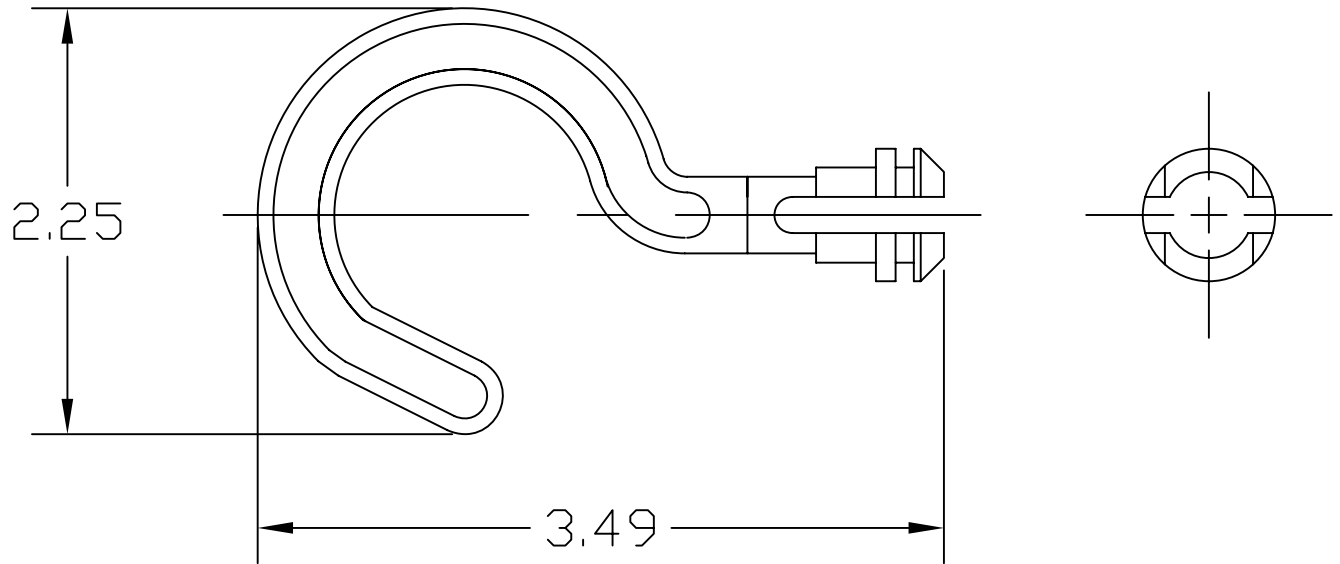


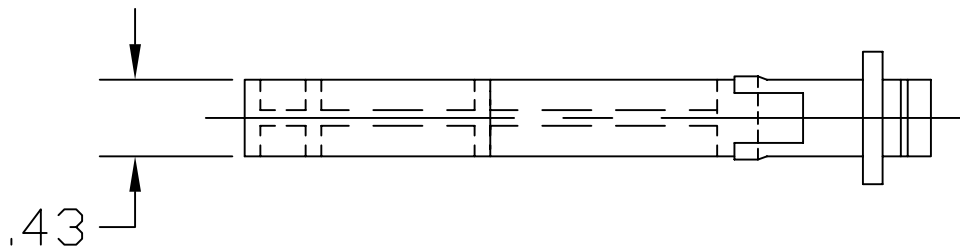
THIS DRAWING/SPECIFICATION CONTAINS PROPRIETARY INFORMATION OF THE J.B. NOTTINGHAM AND COMPANY INC./DURALINE WHICH SHALL NOT BE PUBLISHED, REPRODUCED, COPIED, FURTHER DISCLOSED, OR USED AS THE BASIS OF MANUFACTURE FOR OR SALE OF APPARATUS TO OTHERS THAN THE J.B. NOTTINGHAM AND CO. INC., EXCEPT BY WRITTEN PERMISSION OF A DULY AUTHORIZED REPRESENTATIVE OF SAID COMPANY.

REVISIONS

LTR	DESCRIPTION	DATE	APPROVED
-----	-------------	------	----------



PLAN



ELEVATION

DIM'S IN INCHES UNLESS OTHERWISE NOTED.

TOLERANCES:
 FRAC. DEC. ANGLE
 ~ ~ ~

MATERIAL:
 ~

FINISH:

DRAWN: T.P. 6/13/95

CHECKED: EG 8/19/99

APPROVED:

ENGR:

HOOK FOR LG-1

Duraline

DIV. OF J.B. NOTTINGHAM
 75 HOFFMAN LANE
 ISLANDIA, NY 11749

SIZE

A

CODE IDENT. NO.

16998

DWG. NO.

S005299

SCALE

SHEET