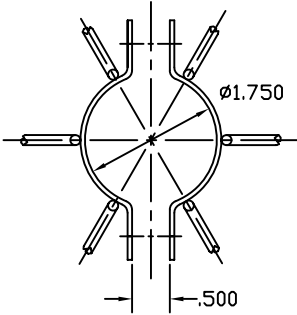
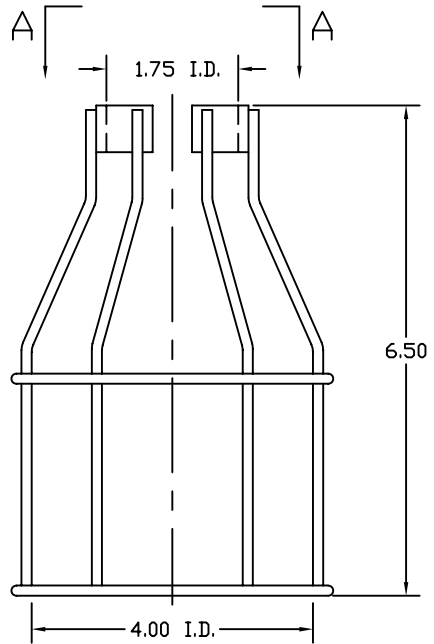


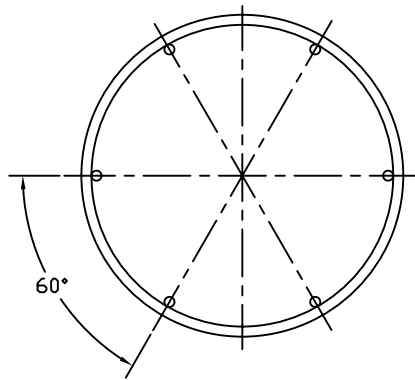
THIS DRAWING/SPECIFICATION CONTAINS PROPRIETARY INFORMATION OF THE J.B. NOTTINGHAM AND COMPANY INC./DURALINE WHICH SHALL NOT BE PUBLISHED, REPRODUCED, COPIED, FURTHER DISCLOSED, OR USED AS THE BASIS OF MANUFACTURE FOR OR SALE OF APPARATUS TO OTHERS THAN THE J.B. NOTTINGHAM AND CO. INC., EXCEPT BY WRITTEN PERMISSION OF A DULY AUTHORIZED REPRESENTATIVE OF SAID COMPANY.

REVISIONS

LTR	DESCRIPTION	DATE	APPROVED
-----	-------------	------	----------



VIEW A-A



DIM'S IN INCHES UNLESS OTHERWISE NOTED.  
 TOLERANCES:  
 FRAC. DEC. ANGLE  
 +/- 1/64 +/- .010

DRAWN: T.P. 5/27/81  
 CHECKED: T.P. 8/10/99

WIRE GUARD, RED

MATERIAL:  
 #10 GAUGE STEEL WIRE

APPROVED:  
 ENGR:

**Duraline**

DIV. OF J.B. NOTTINGHAM  
 75 HOFFMAN LANE  
 ISLANDIA, NY 11749

FINISH:  
 VINYL COAT, RED

SIZE A	CODE IDENT. NO. 16998	DWG. NO. S005061
-----------	--------------------------	---------------------

SCALE

SHEET