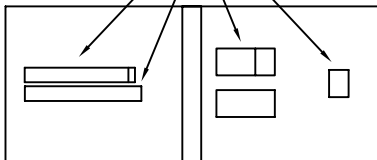
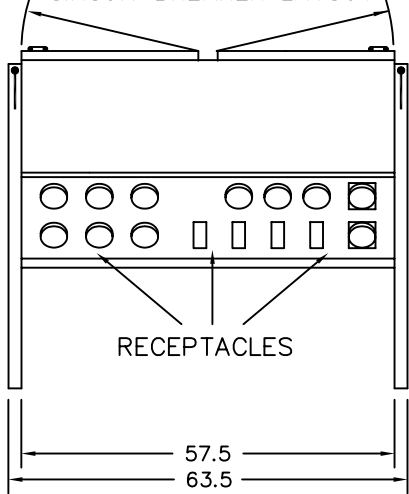


THIS DRAWING/SPECIFICATION CONTAINS PROPRIETARY INFORMATION OF THE J.B. NOTTINGHAM AND CO., INC./DURALINE, WHICH SHALL NOT BE PUBLISHED, REPRODUCED, COPIED, FURTHER DISCLOSED AS THE BASIS OF MANUFACTURE FOR OR SALE OF APPARATUS TO OTHERS THAN THE J.B. NOTTINGHAM AND CO., INC., EXCEPT BY WRITTEN PERMISSION OF A DULY AUTHORIZED REPRESENTATIVE OF SAID COMPANY.

CIRCUIT BREAKERS



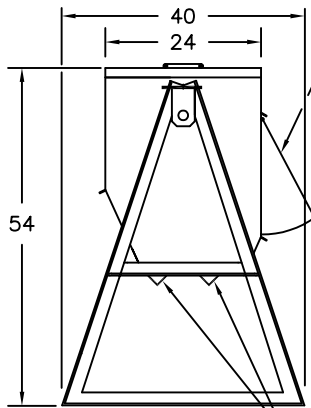
CIRCUIT BREAKER LAYOUT



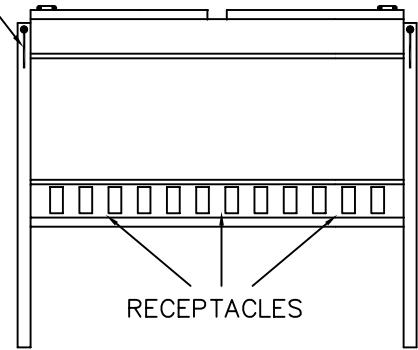
RECEPTACLES

57.5
63.5

TERMINAL STUD CONNECTION ACCESS DOOR



DROP TYPE LIFT HANDLE



RECEPTACLES

FORK LIFT SUPPORTS

REVISIONS				
ZONE	REV	DESCRIPTION	DATE	APPROVED

DIMENSIONS IN INCHES UNLESS OTHERWISE NOTED. TOLERANCES:

FRAC. DEC. ANG.

MATERIAL:

FINISH :

DO NOT SCALE DRAWING

APPROVALS

DRAWN

CHECKED

ISSUED

DATE

3/16/04

SIZE

A

POWER DISTRIBUTION PANEL

Duraline

DIV. OF J.B. NOTTINGHAM
75 HOFFMAN LANE
ISLANDIA, NY 11749

DWG. NO.

PP88-54

REV.

SCALE

SHEET 1 OF 1