

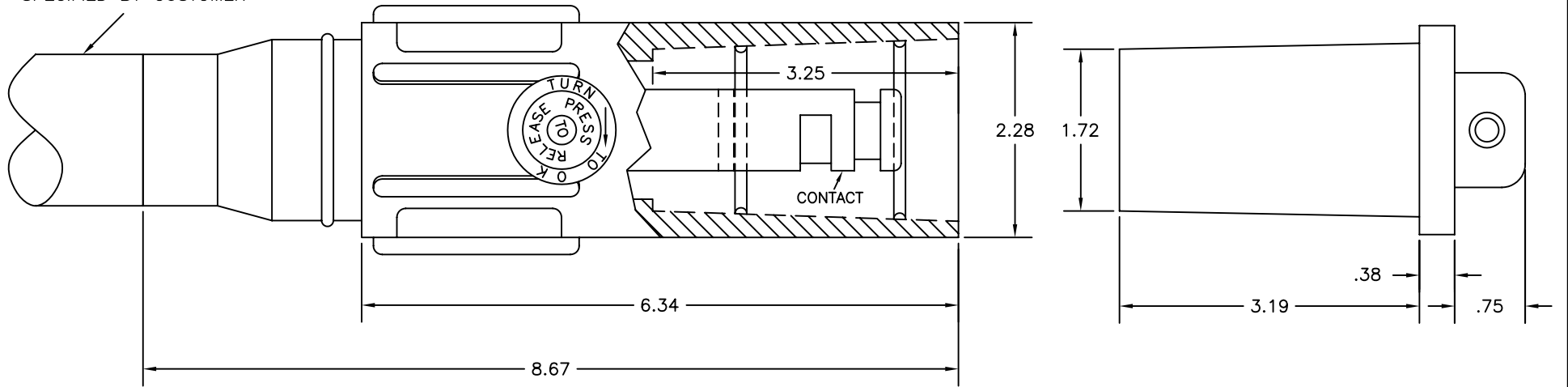
THIS DRAWING/SPECIFICATION CONTAINS PROPRIETARY INFORMATION OF THE J.B. NOTTINGHAM AND CO., INC./DURALINE, WHICH SHALL NOT BE PUBLISHED, REPRODUCED, COPIED, FURTHER DISCLOSED AS THE BASIS OF MANUFACTURE FOR OR SALE OF APPARATUS TO OTHERS THAN THE J.B. NOTTINGHAM AND CO., INC., EXCEPT BY WRITTEN PERMISSION OF A DULY AUTHORIZED REPRESENTATIVE OF SAID COMPANY.

REVISIONS				
ZONE	REV	DESCRIPTION	DATE	APPROVED

SLEEVE

CAP

CABLE, LENGTH TO BE SPECIFIED BY CUSTOMER




DIMENSIONS IN INCHES
UNLESS OTHERWISE NOTED.
TOLERANCES:
FRAC. DEC. ANG.

MATERIAL:

FINISH :

DO NOT SCALE DRAWING

APPROVALS		DATE	POSITIVE LATCHING LONG SHROUDED POLARIZED MALE CONNECTOR				
		6/1/04	 DIV. OF J.B. NOTTINGHAM 75 HOFFMAN LANE ISLANDIA, NY 11749				
						SIZE	FSCM NO.
						A	16998
					DWG. NO.	PLLSPMC	REV.

SHEET 1 OF 1