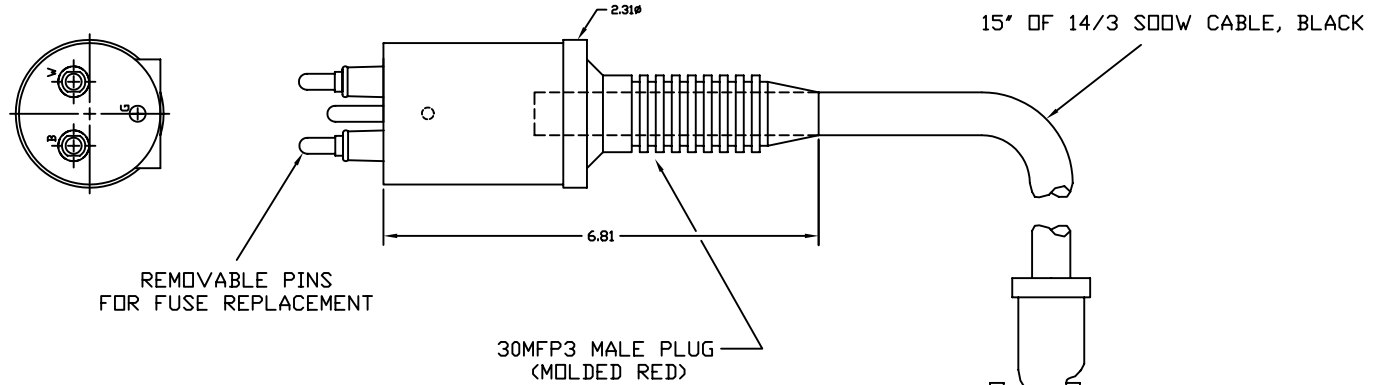
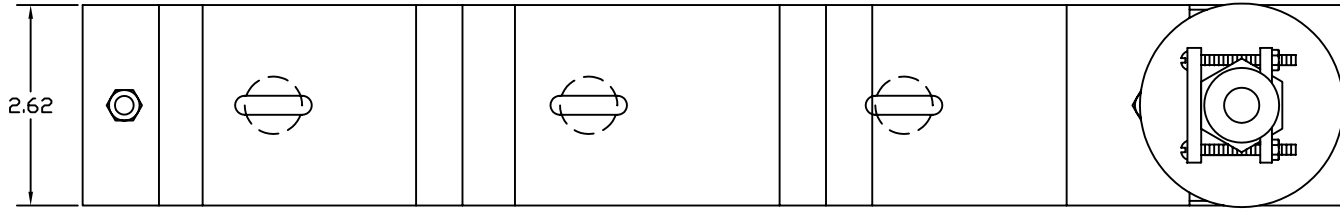
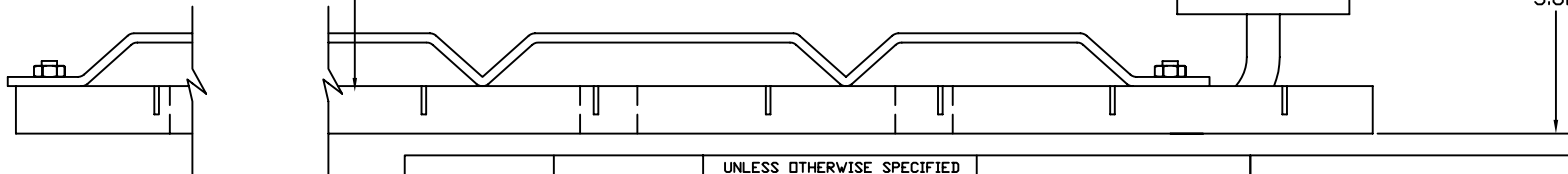



THIS DRAWING/SPECIFICATION CONTAINS PROPRIETARY INFORMATION OF THE J.B. NOTTINGHAM AND CO., INC./DURALINE, WHICH SHALL NOT BE PUBLISHED, REPRODUCED, COPIED, FURTHER DISCLOSED AS THE BASIS OF MANUFACTURE FOR OR SALE OF APPARATUS TO OTHERS THAN THE J.B. NOTTINGHAM AND CO., INC., EXCEPT BY WRITTEN PERMISSION OF A DULY AUTHORIZED REPRESENTATIVE OF SAID COMPANY.

REVISIONS				
ZONE	LTR	DESCRIPTION	DATE	APPROVED



HEATERS ARE AVAILABLE IN 12", 18", 24", 36", OR 72" LENGTHS



		UNLESS OTHERWISE SPECIFIED DIMENSIONS ARE IN INCHES TOLERANCES ON FRACTIONS DECIMALS ANGLES			DRAWING STARTED DATE		NON-THERMOSTATIC STRIP HEATER WITH 30MFP3 MALE FUSE PLUG		
		MATERIAL:			DRAWN DR 6/22/04		 DIV. J.B. NOTTINGHAM 75 HOFFMAN LANE ISLANDIA, NY 11749		
		FINISH:			CHECKED				
NEXT ASSY		USED ON			ENGR		SIZE CODE IDENT NO.		REV.
APPLICATION							C 16998 NTSTRIPHEATER		
							SCALE		SHEET