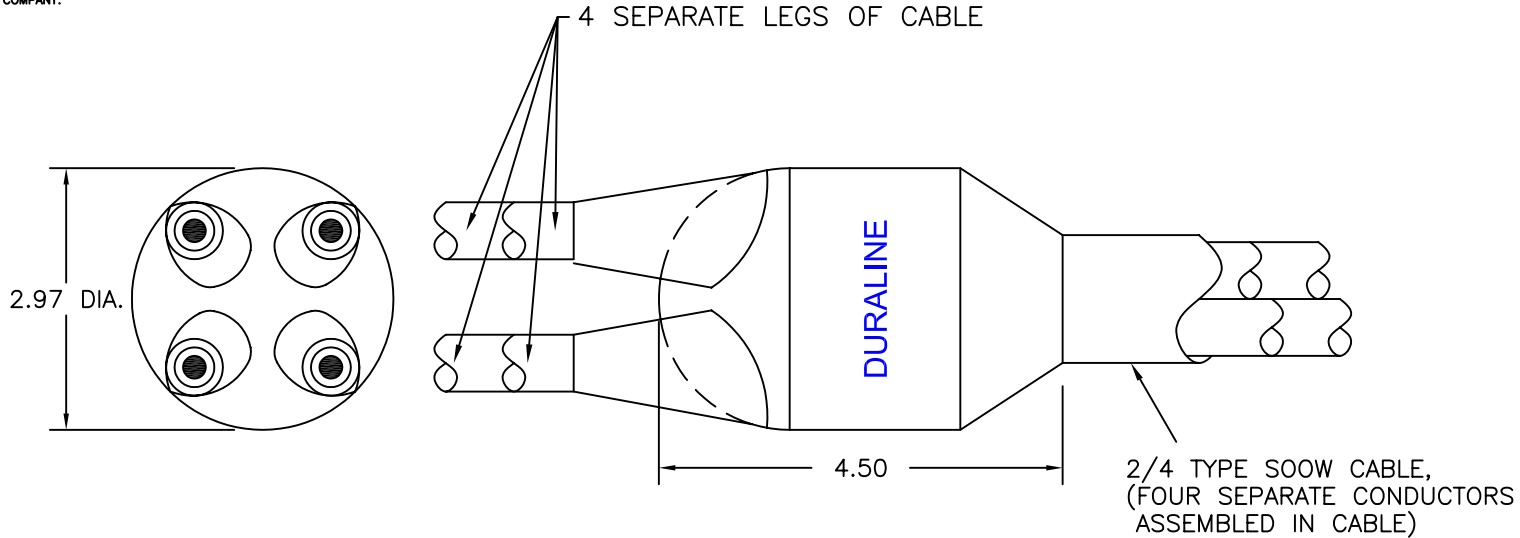



THIS DRAWING/SPECIFICATION
CONTAINS PROPRIETARY
INFORMATION OF THE J.B
NOTTINGHAM AND CO., INC./,
DURLINE, WHICH SHALL NOT BE
PUBLISHED, REPRODUCED, COPIED,
FURTHER DISCLOSED AS THE
BASIS OF MANUFACTURE FOR
OR SALE OF APPARATUS TO
OTHERS THAN THE J.B.
NOTTINGHAM AND CO., INC.,
EXCEPT BY WRITTEN PERMISSION
OF A DULY AUTHORIZED
REPRESENTATIVE OF SAID
COMPANY.

| REVISIONS | | | | |
|-----------|-----|-------------|------|----------|
| ZONE | REV | DESCRIPTION | DATE | APPROVED |
| | | | | |



| | | | | | | | | |
|--|----------------------|--|--------|--|--|--|--|--|
| DIMENSIONS IN INCHES UNLESS OTHERWISE NOTED. TOLERANCES: ALL DIMS APPROXIMATE | APPROVALS | | DATE | | MOLDED CROTCH, MEDIUM | | | |
| | DRAWN DR | | 2/1/05 | |  DIV. OF J.B. NOTTINGHAM 75 HOFFMAN LANE ISLANDIA, NY 11749 | | | |
| MATERIAL: BODY IS MOLDED HYPALON | CHECKED | | ISSUED | | | | | |
| FINISH : | DO NOT SCALE DRAWING | | SCALE | | SHEET | | | |