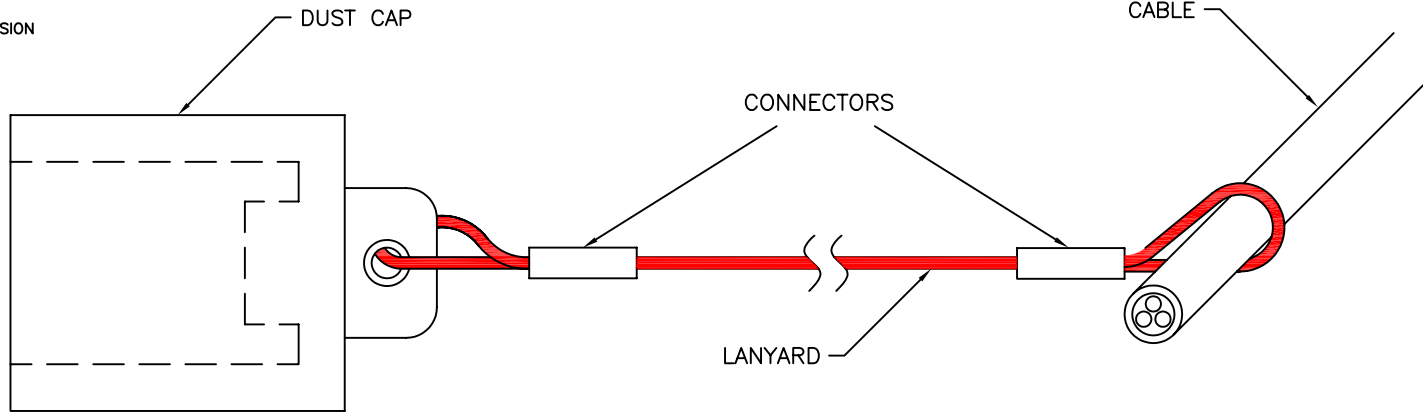



THIS DRAWING/SPECIFICATION CONTAINS PROPRIETARY INFORMATION OF THE J.B. NOTTINGHAM AND CO., INC./DURALINE, WHICH SHALL NOT BE PUBLISHED, REPRODUCED, COPIED, FURTHER DISCLOSED AS THE BASIS OF MANUFACTURE FOR OR SALE OF APPARATUS TO OTHERS THAN THE J.B. NOTTINGHAM AND CO., INC., EXCEPT BY WRITTEN PERMISSION OF A DULY AUTHORIZED REPRESENTATIVE OF SAID COMPANY.

REVISIONS				
ZONE	REV	DESCRIPTION	DATE	APPROVED



NOTE : CABLE IS NOT SOLD WITH CAP ASSEMBLY

- A244629 - BLACK
- A244630 - YELLOW
- A244631 - RED
- A244632 - ORANGE
- A244633 - GREEN
- A244634 - WHITE
- A244635 - BROWN
- A244636 - BLUE

		DIMENSIONS IN INCHES UNLESS OTHERWISE NOTED. TOLERANCES: FRAC. DEC. ANG.					IN-LINE FEMALE J SERIES CAP ASSEMBLIES			
		MATERIAL:			APPROVALS	DATE	 DIV. OF J.B. NOTTINGHAM 75 HOFFMAN LANE ISLANDIA, NY 11749			
		FINISH :			DRAWN DR	6/7/04				
NEXT ASSY	USED ON				CHECKED		SIZE	FSCM NO.	DWG. NO.	REV.
					ISSUED		A	16998	ILFJSCAPS	
APPLICATION		DO NOT SCALE DRAWING					SCALE	SHEET		1 OF 1