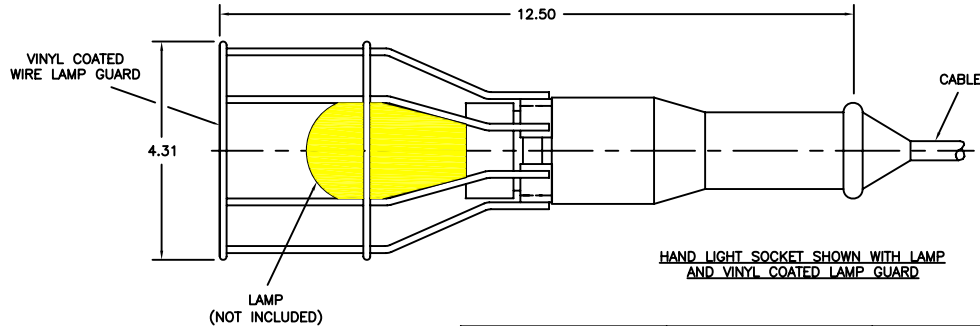
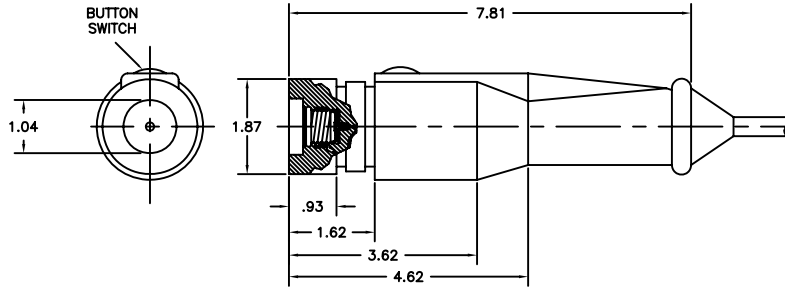


THIS DRAWING/SPECIFICATION CONTAINS PROPRIETARY INFORMATION OF THE J.B. NOTTINGHAM AND CO., INC./DURALINE, WHICH SHALL NOT BE PUBLISHED, REPRODUCED, COPIED, FURTHER DISCLOSED AS THE BASIS OF MANUFACTURE FOR OR SALE OF APPARATUS TO OTHERS THAN THE J.B. NOTTINGHAM AND CO., INC., EXCEPT BY WRITTEN PERMISSION OF A DULY AUTHORIZED REPRESENTATIVE OF SAID COMPANY.

REVISIONS				
ZONE	REV	DESCRIPTION	DATE	APPROVED



DIMENSIONS IN INCHES UNLESS OTHERWISE NOTED. TOLERANCES:			APPROVALS		DATE	HAND LIGHT SOCKET					
FRAC.	DEC.	ANG.									
MATERIAL: BODY IS MOLDED HYPALON			DRAWN	DR	2/6/06	Duraline	DIV. OF J.B. NOTTINGHAM 75 HOFFMAN LANE ISLANDIA, NY 11749				
FINISH :			CHECKED				SIZE	FSCM NO.	DWG. NO.	HLS	REV.
DO NOT SCALE DRAWING			ISSUED				A	16998			
						SCALE				SHEET 1 OF 1	