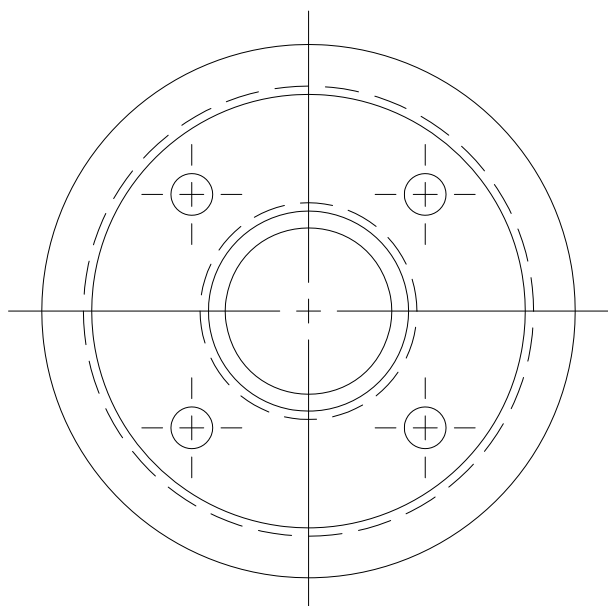
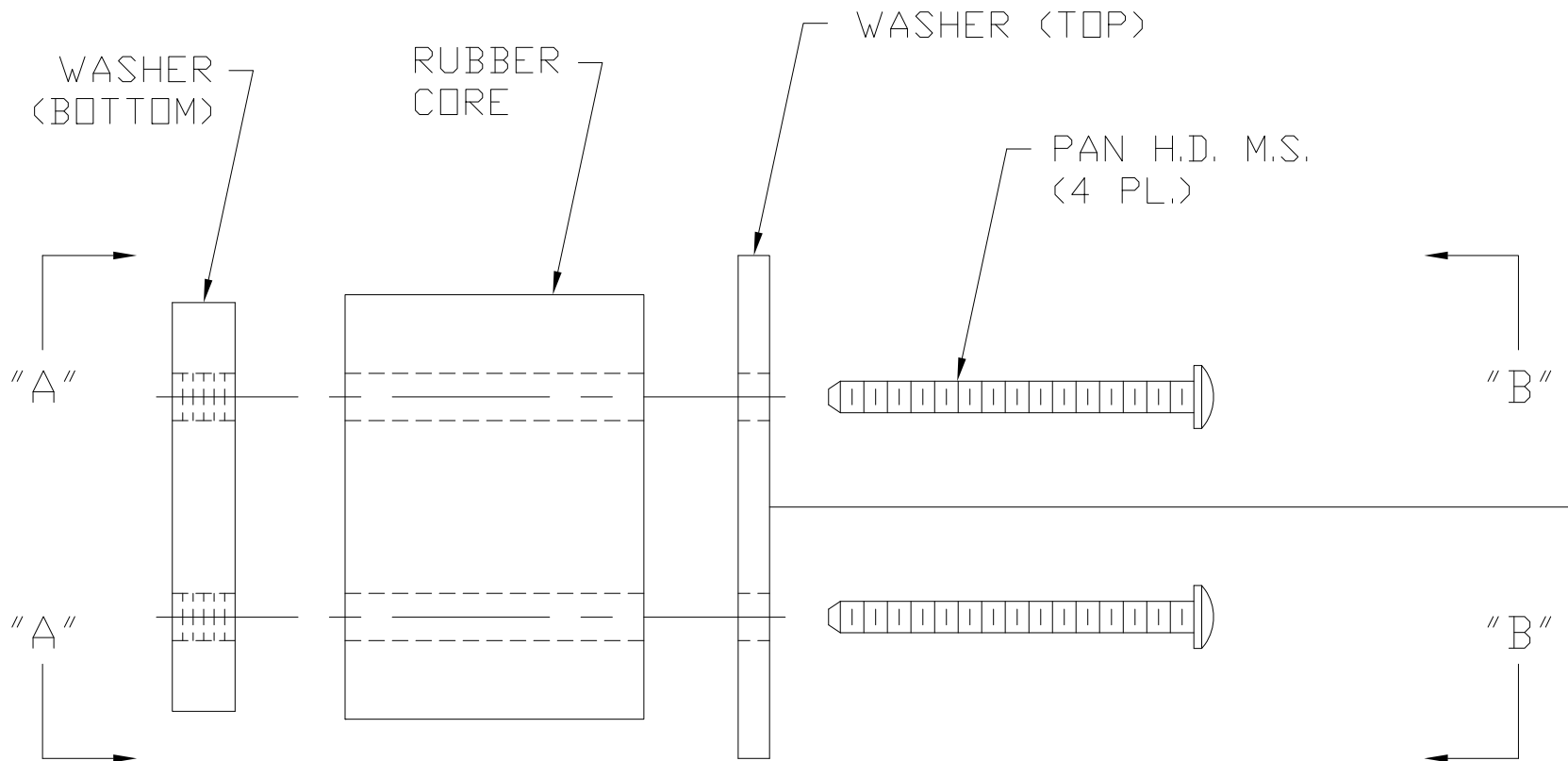


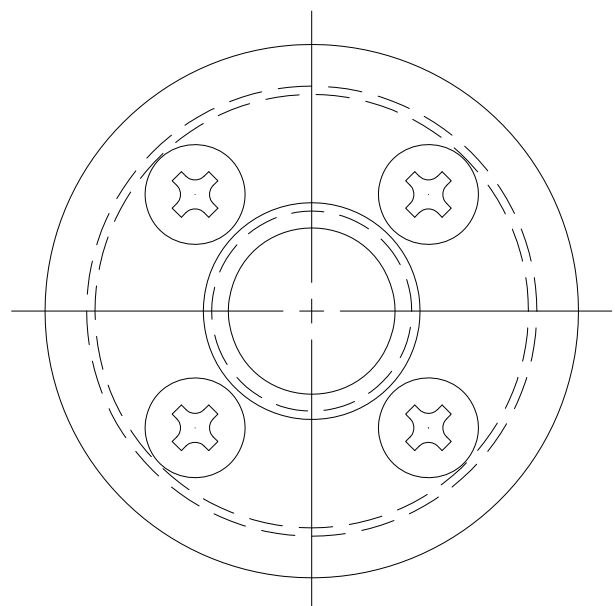
THIS DRAWING/SPECIFICATION CONTAINS PROPRIETARY INFORMATION OF THE J.B. NOTTINGHAM AND COMPANY INC./DURALINE WHICH SHALL NOT BE PUBLISHED, REPRODUCED COPIED, FURTHER DISCLOSED, OR USED AS THE BASIS OF MANUFACTURE FOR OR SALE OF APPARATUS TO OTHERS THAN THE J.B. NOTTINGHAM AND CO. INC., EXCEPT BY WRITTEN PERMISSION OF A DULY AUTHORIZED REPRESENTATIVE OF SAID COMPANY.

REVISIONS

ZONE	REV	DESCRIPTION	DATE	APPROVED



VIEW A-A



VIEW B-B

DIM'S IN INCHES UNLESS OTHERWISE NOTED.
TOLERANCES:
FRAC. ~ DEC. ~ ANGLE ~

DRAWN: TP 9/26/88

CHECKED: 1/30/89

APPROVED:

ENGR:

DR 12/8/03

CIRCLE D ADAPTER

(FP-95)



DIV. OF J.B. NOTTINGHAM
75 HOFFMAN LANE
ISLANDIA, NY 11749

FINISH: ~

SIZE
A

CODE IDENT. NO.
16998

DWG. NO.

SM166900

REV.

SCALE ~

SHEET 1 OF 1