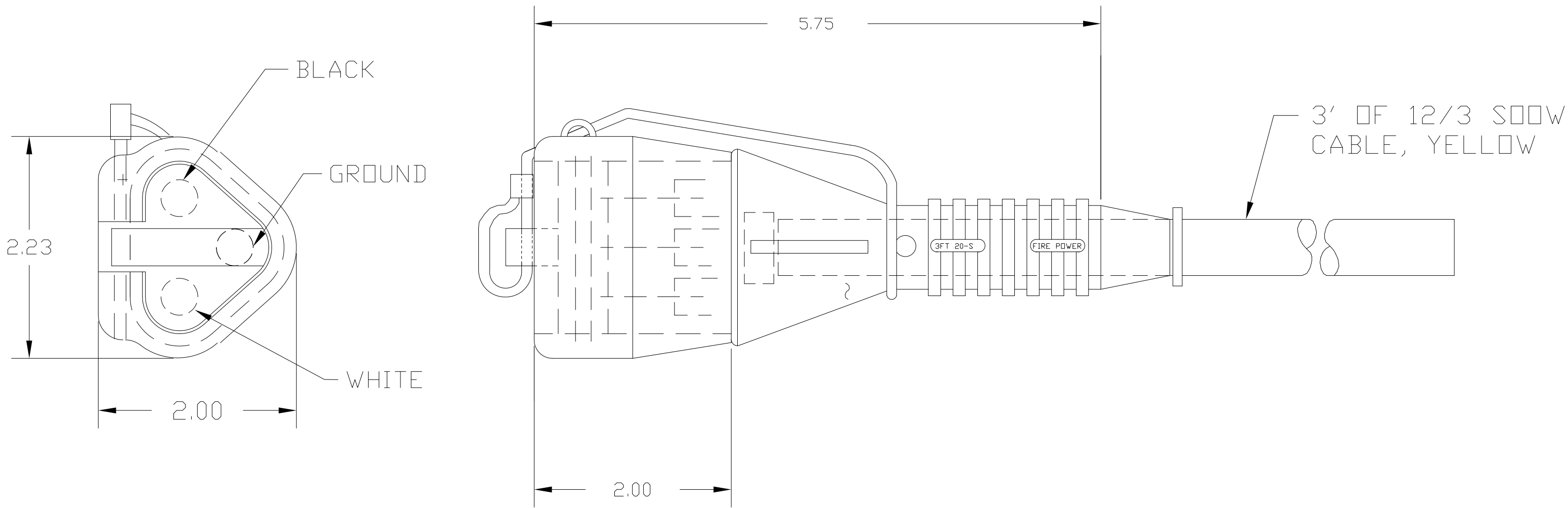


THIS DRAWING/SPECIFICATION CONTAINS PROPRIETARY INFORMATION OF THE J.B. NOTTINGHAM AND CO., INC.,/ DURALINE, WHICH SHALL NOT BE PUBLISHED, REPRODUCED, COPIED, FURTHER DISCLOSED AS THE BASIS OF MANUFACTURE FOR OR SALE OF APPARATUS TO OTHERS THAN THE J.B. NOTTINGHAM AND CO., INC., EXCEPT BY WRITTEN PERMISSION OF A DULY AUTHORIZED REPRESENTATIVE OF SAID COMPANY.

REVISIONS			
REV.	DESCRIPTION	DATE	APPROVED



*VOLTAGE DROP MUST BE CONSIDERED WHEN DETERMINING LENGTH PER APPLICATION.

DIMENSIONS IN INCHES UNLESS OTHERWISE NOTED. TOLERANCES: FRAC. DEC. ANG.		120 V. 2 POLE 3 WIRE GROUNDED (FP-80) FEMALE CONNECTOR (3FT20-S) #12/3 [M101607-3' PIGTAIL, #12/3 SD 90° C]	
MATERIAL: PLUG BODY IS MOLDED HYPALON		APPROVALS	DATE
FINISH:		DRAWN J.L.	4/6/98
DO NOT SCALE DRAWING		CHECKED	ISSUED
		SIZE A	FSCM NO. 16998
		DWG. NO. SM101607	
		SCALE	SHEET

