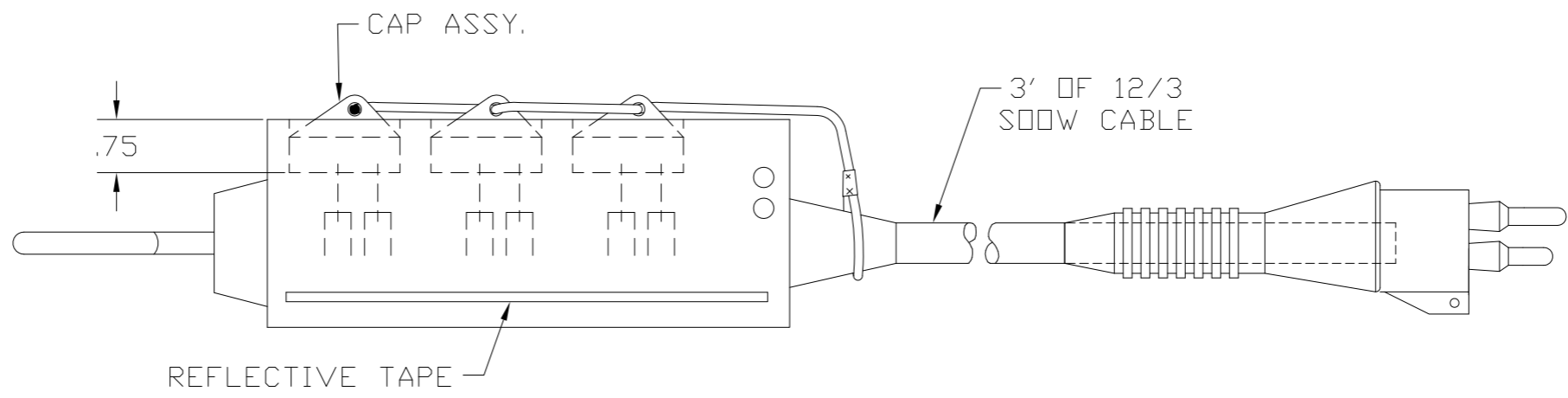
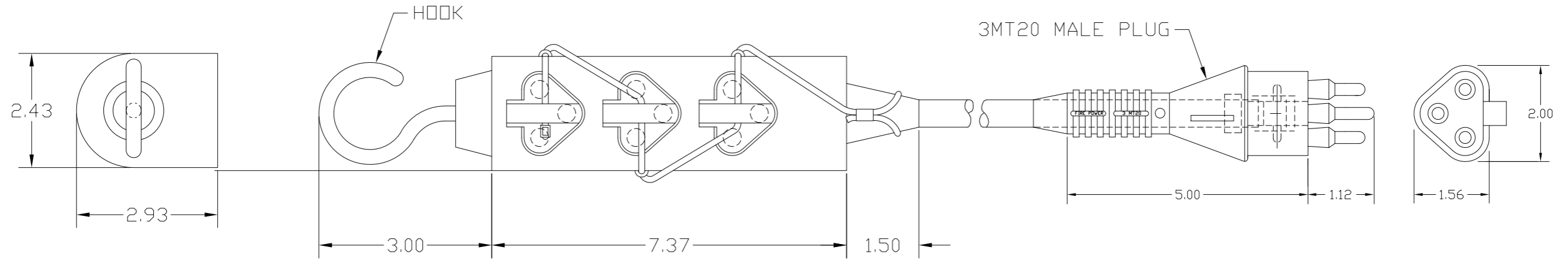


THIS DRAWING/SPECIFICATION CONTAINS PROPRIETARY INFORMATION OF THE J.B. NOTTINGHAM AND CO., INC.,/ DURALINE, WHICH SHALL NOT BE PUBLISHED, REPRODUCED, COPIED, FURTHER DISCLOSED AS THE BASIS OF MANUFACTURE FOR OR SALE OF APPARATUS TO OTHERS THAN THE J.B. NOTTINGHAM AND CO., INC., EXCEPT BY WRITTEN PERMISSION OF A DULY AUTHORIZED REPRESENTATIVE OF SAID COMPANY.

REVISIONS			
REV.	DESCRIPTION	DATE	APPROVED



DIMENSIONS IN INCHES UNLESS OTHERWISE NOTED. TOLERANCES:				120V. 2 POLE 3 WIRE GROUNDED 3 OUTLET (FP-50) DISTRIBUTION BLOCK (3B20-3S) (12/3)	
FRAC.	DEC.	ANG.	APPROVALS	DATE	
			DRAWN EG	1/12/00	
MATERIAL: BODY IS MOLDED HYPALON			CHECKED		
FINISH:			ISSUED		
			DR	6/4/09	
		SIZE A	FSCM NO. 16998	DWG. NO. SM164500	REV.
		SCALE NTS		SHEET	

