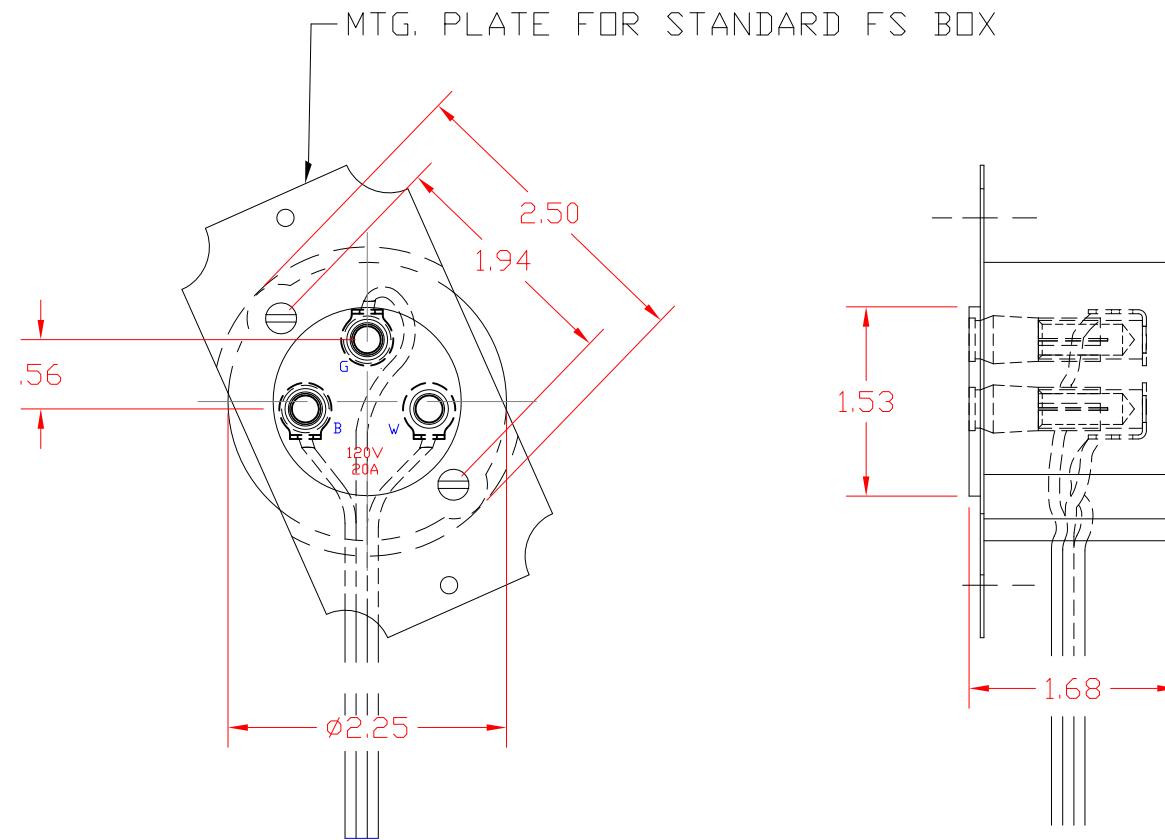


THIS DRAWING/SPECIFICATION CONTAINS PROPRIETARY INFORMATION OF THE J.B. NOTTINGHAM AND CO., INC./ DURALINE, WHICH SHALL NOT BE PUBLISHED, REPRODUCED, COPIED, FURTHER DISCLOSED AS THE BASIS OF MANUFACTURE FOR OR SALE OF APPARATUS TO OTHERS THAN THE J.B. NOTTINGHAM AND CO., INC., EXCEPT BY WRITTEN PERMISSION OF A DULY AUTHORIZED REPRESENTATIVE OF SAID COMPANY.

REVISIONS			
REV.	DESCRIPTION	DATE	APPROVED



NOTE:

- 1) HARDWARE PACKAGE (P/N A2652554) WITH INSTRUCTION SHEET (SK030590-1) INCLUDED W/EACH ASSY.
- 2) RATED 20A @120V., 60Hz

DIMENSIONS IN INCHES UNLESS OTHERWISE NOTED. TOLERANCES:		3RT20-0B (FP-11)	
FRAC.	DEC.	ANG.	
MATERIAL: BODY IS MOLDED HYPALON		APPROVALS	DATE
FINISH:		DRAWN EG	1/12/00
		CHECKED	
		ISSUED	
SIZE	FSCM NO.	DWG. NO.	REV.
A	16998	SM165200	
SCALE NTS		SHEET 1 OF 1	

