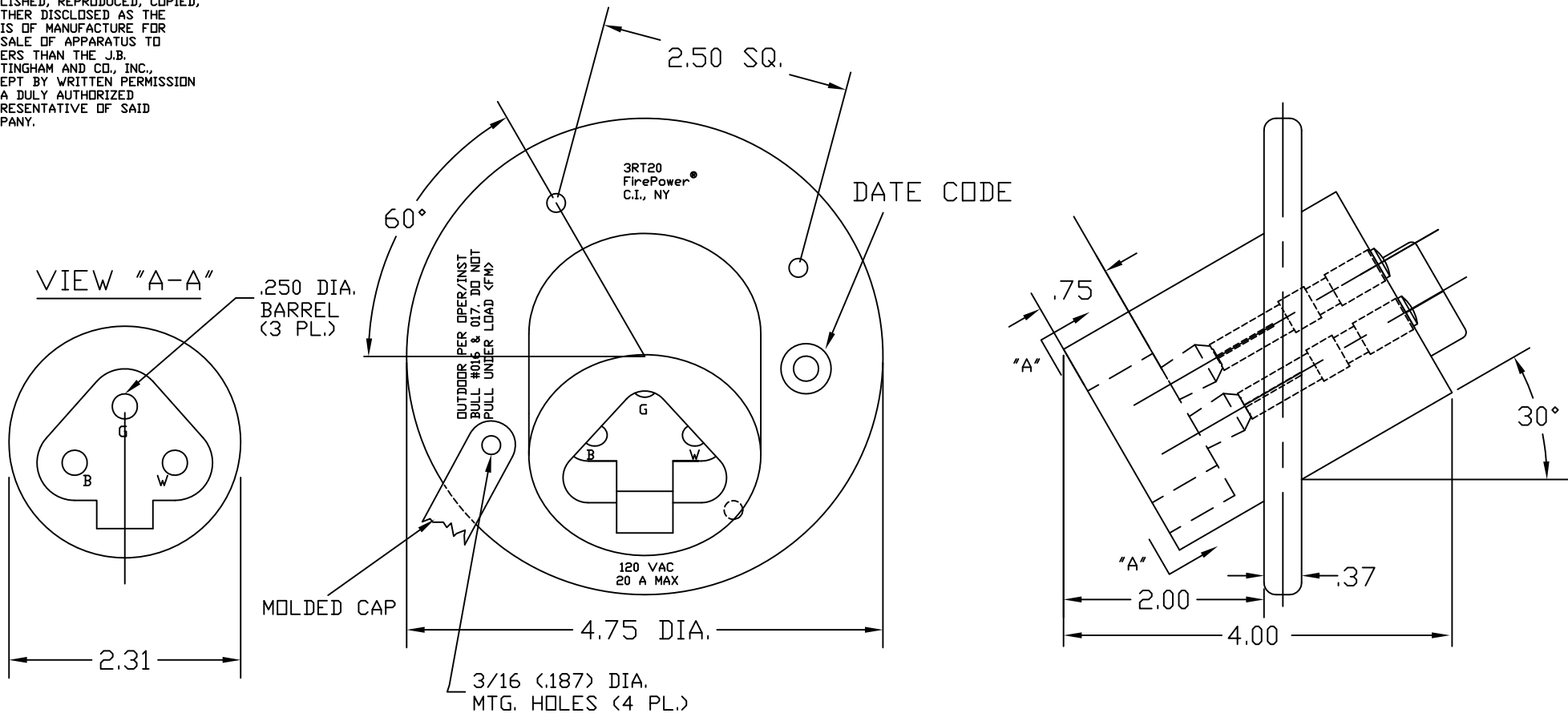


THIS DRAWING/SPECIFICATION CONTAINS PROPRIETARY INFORMATION OF THE J.B. NOTTINGHAM AND CO., INC.,/ DURALINE, WHICH SHALL NOT BE PUBLISHED, REPRODUCED, COPIED, FURTHER DISCLOSED AS THE BASIS OF MANUFACTURE FOR OR SALE OF APPARATUS TO OTHERS THAN THE J.B. NOTTINGHAM AND CO., INC., EXCEPT BY WRITTEN PERMISSION OF A DULY AUTHORIZED REPRESENTATIVE OF SAID COMPANY.

REVISIONS			
REV.	DESCRIPTION	DATE	APPROVED



SEE SK042783-1 FOR MTG. DIMENSIONS

DIMENSIONS IN INCHES UNLESS OTHERWISE NOTED. TOLERANCES:		120 V., 2 POLE, 3 WIRE, GROUNDED FEMALE RECEPTACLE (3RT20-S), (FP-10)			
FRAC.	DEC.	ANG.	APPROVALS		DATE
			DRAWN T.P.		4/12/99
MATERIAL: BODY IS MOLDED HYPALON			CHECKED		
FINISH:			ISSUED		
DO NOT SCALE DRAWING		SCALE	SIZE A	FSCM NO. 16998	SUBSIDIARY OF DURALINE 75 HOFFMAN LANE ISLANDIA, NY 11749 SALES DWG. NO. SM128900
				SHEET	1 OF 1