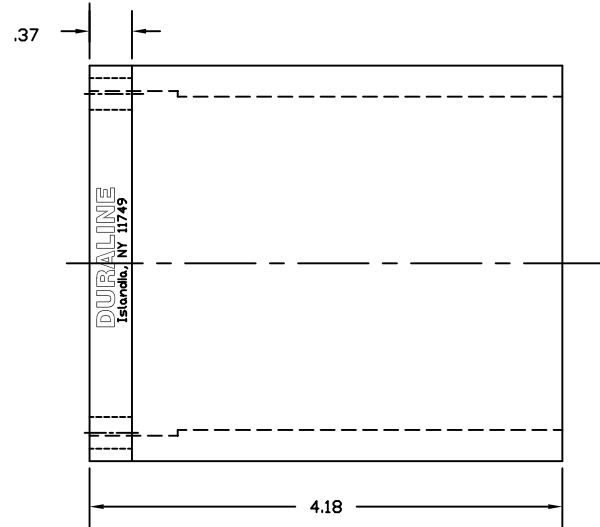
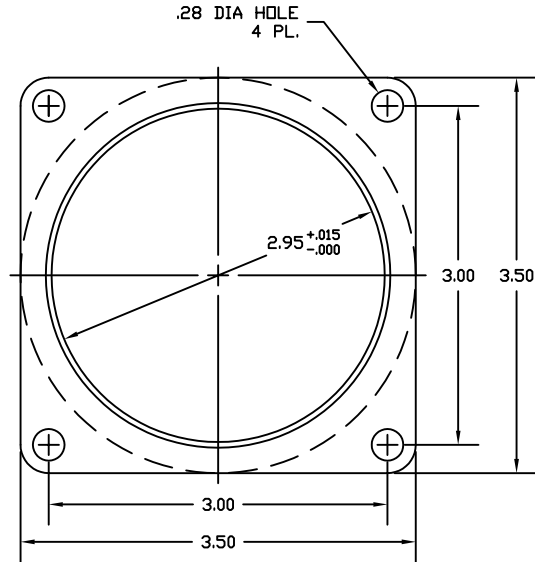



THIS DRAWING/SPECIFICATION
CONTAINS PROPRIETARY
INFORMATION OF THE J.B.
NOTTINGHAM AND CO., INC./
DURALINE, WHICH SHALL NOT BE
PUBLISHED, REPRODUCED, COPIED,
FURTHER DISCLOSED AS THE
BASIS OF MANUFACTURE FOR
OR SALE OF APPARATUS TO
OTHERS THAN THE J.B.
NOTTINGHAM AND CO., INC.,
EXCEPT BY WRITTEN PERMISSION
OF A DULY AUTHORIZED
REPRESENTATIVE OF SAID COMPANY.

REVISIONS			
REV.	DESCRIPTION	DATE	APPROVED



DIMENSIONS IN INCHES UNLESS OTHERWISE NOTED. TOLERANCES:		MOUNTING FLANGE							
FRAC.	DEC.	ANG.	APPROVALS	DATE			DIV. J.B. NOTTINGHAM 75 HOFFMAN LANE ISLANDIA, NY 11749		
MATERIAL			DRAWN	E.G.					4/26/99
FINISH	SEE NOTE		CHECKED	T.P.	6/21/99	SIZE A	FSCM NO. 16998	DWG. NO. S007342	REV.
DO NOT SCALE DRAWING			DR.	11/21/03	SCALE				