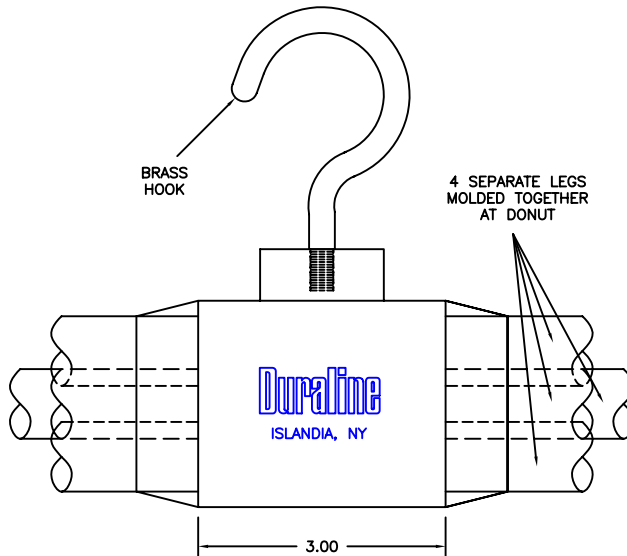
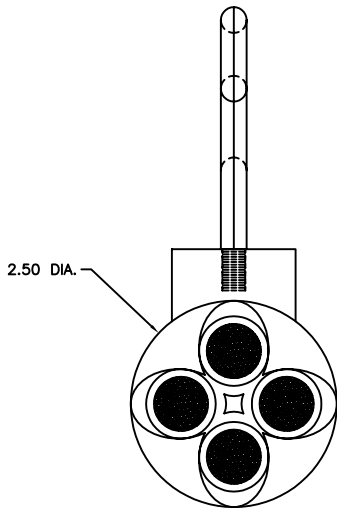


THIS DRAWING/SPECIFICATION CONTAINS PROPRIETARY INFORMATION OF THE J.B NOTTINGHAM AND CO., INC./ DURALINE, WHICH SHALL NOT BE PUBLISHED, REPRODUCED, COPIED, FURTHER DISCLOSED AS THE BASIS OF MANUFACTURE FOR OR SALE OF APPARATUS TO OTHERS THAN THE J.B. NOTTINGHAM AND CO., INC., EXCEPT BY WRITTEN PERMISSION OF A DULY AUTHORIZED REPRESENTATIVE OF SAID COMPANY.

REVISIONS				
ZONE	REV	DESCRIPTION	DATE	APPROVED



DIMENSIONS IN INCHES UNLESS OTHERWISE NOTED. TOLERANCES: ALL DIMS APPROXIMATE	APPROVALS		DATE		Duraline DIV. OF J.B. NOTTINGHAM 75 HOFFMAN LANE ISLANDIA, NY 11749		
	DRAWN DR		6/25/04				
	MATERIAL: BODY IS MOLDED HYPALON		CHECKED		SIZE A FSCM NO. 16998	DWG. NO. DONUT	REV.
	FINISH :		ISSUED				
DO NOT SCALE DRAWING		SCALE		SHEET			