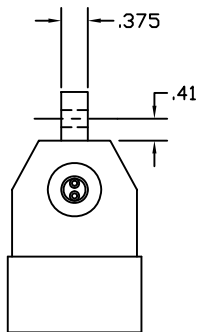
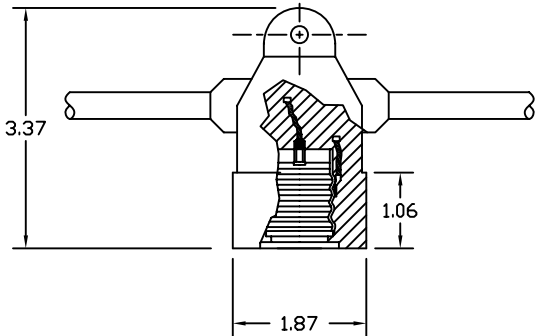
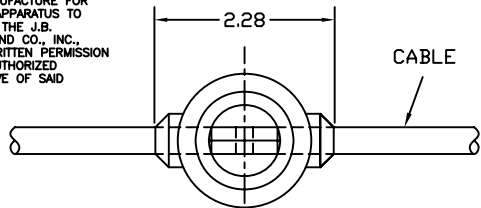
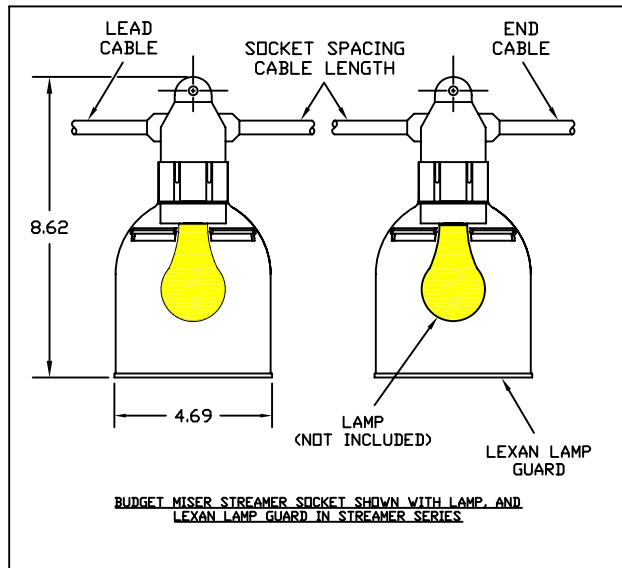


THIS DRAWING/SPECIFICATION CONTAINS PROPRIETARY INFORMATION OF THE J.B. NOTTINGHAM AND CO., INC./DURALINE, WHICH SHALL NOT BE PUBLISHED, REPRODUCED, COPIED, FURTHER DISCLOSED AS THE BASIS OF MANUFACTURE FOR OR SALE OF APPARATUS TO OTHERS THAN THE J.B. NOTTINGHAM AND CO., INC., EXCEPT BY WRITTEN PERMISSION OF A DULY AUTHORIZED REPRESENTATIVE OF SAID COMPANY.



REVISIONS				
ZONE	REV	DESCRIPTION	DATE	APPROVED



DIMENSIONS IN INCHES
UNLESS OTHERWISE NOTED.
TOLERANCES:

FRAC. DEC. ANG.

MATERIAL: BODY IS
MOLDED HYPALON

FINISH:

DO NOT SCALE DRAWING

APPROVALS

DRAWN DR 2/2/06

CHECKED

ISSUED

DATE

2/2/06

SIZE

A

SCALE

FSCM NO.

16998

DWG. NO.

SCALE

BUDGET MISER
STREAMER SOCKET

Duraline

DIV. OF J.B. NOTTINGHAM
75 HOFFMAN LANE
ISLANDIA, NY 11749

DWG. NO.

BMSS

REV.

SHEET 1 OF 1