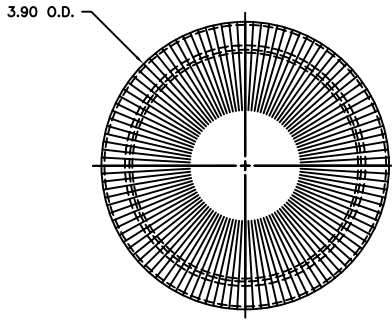


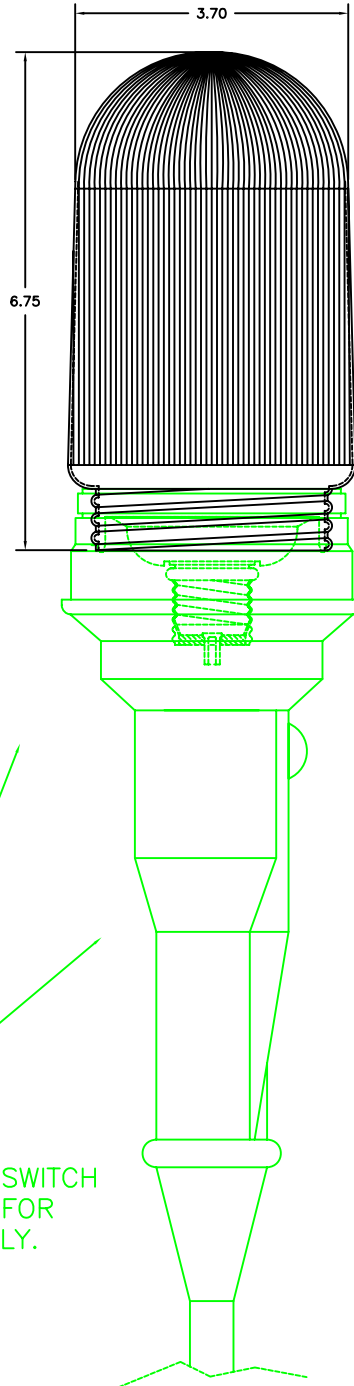
THIS DRAWING/SPECIFICATION CONTAINS PROPRIETARY INFORMATION OF THE J.B. NOTTINGHAM AND COMPANY INC./DURALINE WHICH SHALL NOT BE PUBLISHED, REPRODUCED COPIED, FURTHER DISCLOSED, OR USED AS THE BASIS OF MANUFACTURE FOR OR SALE OF APPARATUS TO OTHERS THAN THE J.B. NOTTINGHAM AND CO. INC., EXCEPT BY WRITTEN PERMISSION OF A DULY AUTHORIZED REPRESENTATIVE OF SAID COMPANY.

REVISIONS

ZONE	REV	DESCRIPTION	DATE	APPROVED



TOP VIEW



VAPOR PROOF HANDLIGHT WITH SWITCH IS SHOWN WITH THIS GLOBE FOR ILLUSTRATION PURPOSES ONLY.

DIM'S IN INCHES UNLESS OTHERWISE NOTED.  
TOLERANCES:  
FRAC. ~ DEC. ~ ANGLE ~

DRAWN: DR 5/17/05

CHECKED:

MATERIAL:

APPROVED:

ENGR:

FINISH:

Prismatic Lexan Globe (Round Top), 6.75" high  
3.90" Dia. (max.), 3.00" I.D., 75 watt max.

**Duraline**

DIV. OF J.B. NOTTINGHAM  
75 HOFFMAN LANE  
ISLANDIA, NY 11749

SIZE A	CODE IDENT. NO. 16998	DWG. NO. S007525	REV.
SCALE ~	SHEET 1 OF 1		