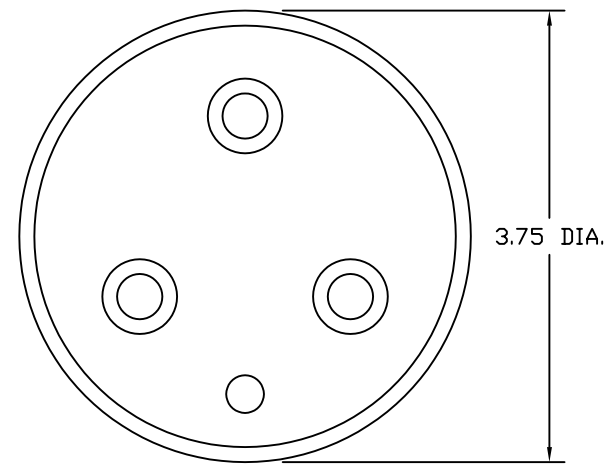
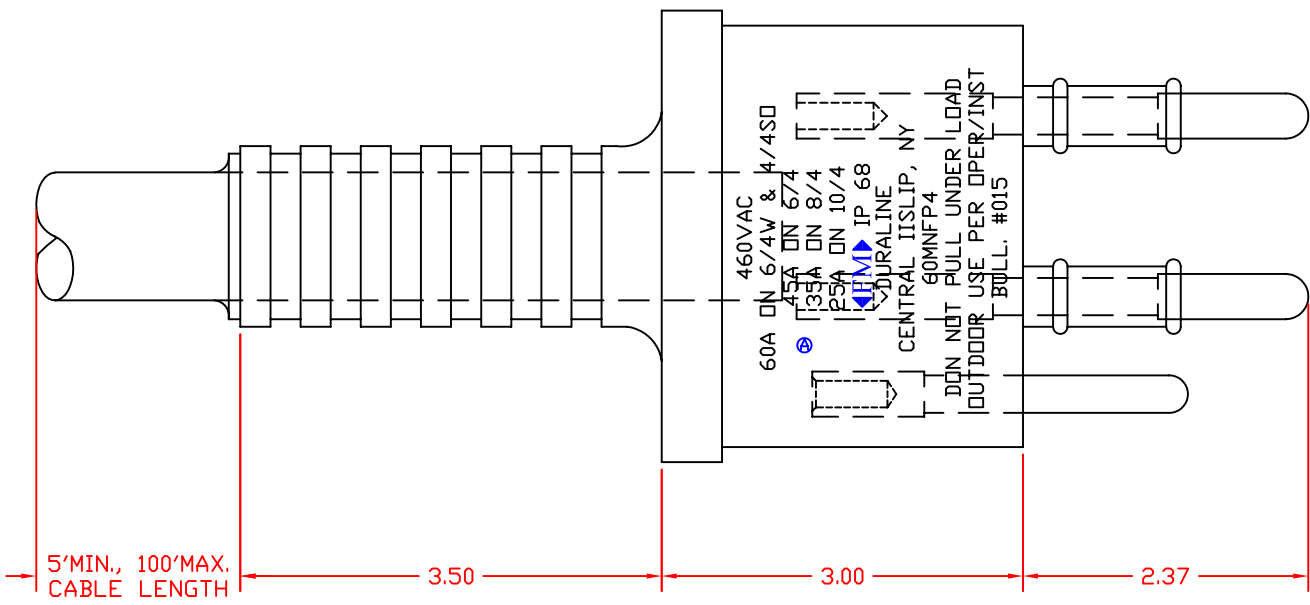



THIS DRAWING/SPECIFICATION CONTAINS PROPRIETARY INFORMATION OF THE J.B. NOTTINGHAM AND CO., INC.,/ DURALINE, WHICH SHALL NOT BE PUBLISHED, REPRODUCED, COPIED, FURTHER DISCLOSED AS THE BASIS OF MANUFACTURE FOR OR SALE OF APPARATUS TO OTHERS THAN THE J.B. NOTTINGHAM AND CO., INC., EXCEPT BY WRITTEN PERMISSION OF A DULY AUTHORIZED REPRESENTATIVE OF SAID COMPANY.

REVISIONS			
REV.	DESCRIPTION	DATE	APPROVED



M110309-10/4 SD (25A), 90°C

DIMENSIONS IN INCHES UNLESS OTHERWISE NOTED. TOLERANCES:				60MNF4-MALE NON-FUSED PLUG		
FRAC.	DEC.	ANG.	APPROVALS	DATE	 DIV. OF J.B. NOTTINGHAM 75 HOFFMAN LANE ISLANDIA, NY 11749	
MATERIAL:			DRAWN	EG		2/24/92
FINISH:			CHECKED	TP		1/31/01
DO NOT SCALE DRAWING			ISSUED			
SIZE	FSCM NO.	DWG. NO.	REV.			
A	16998	SM110309		SCALE	SHEET	