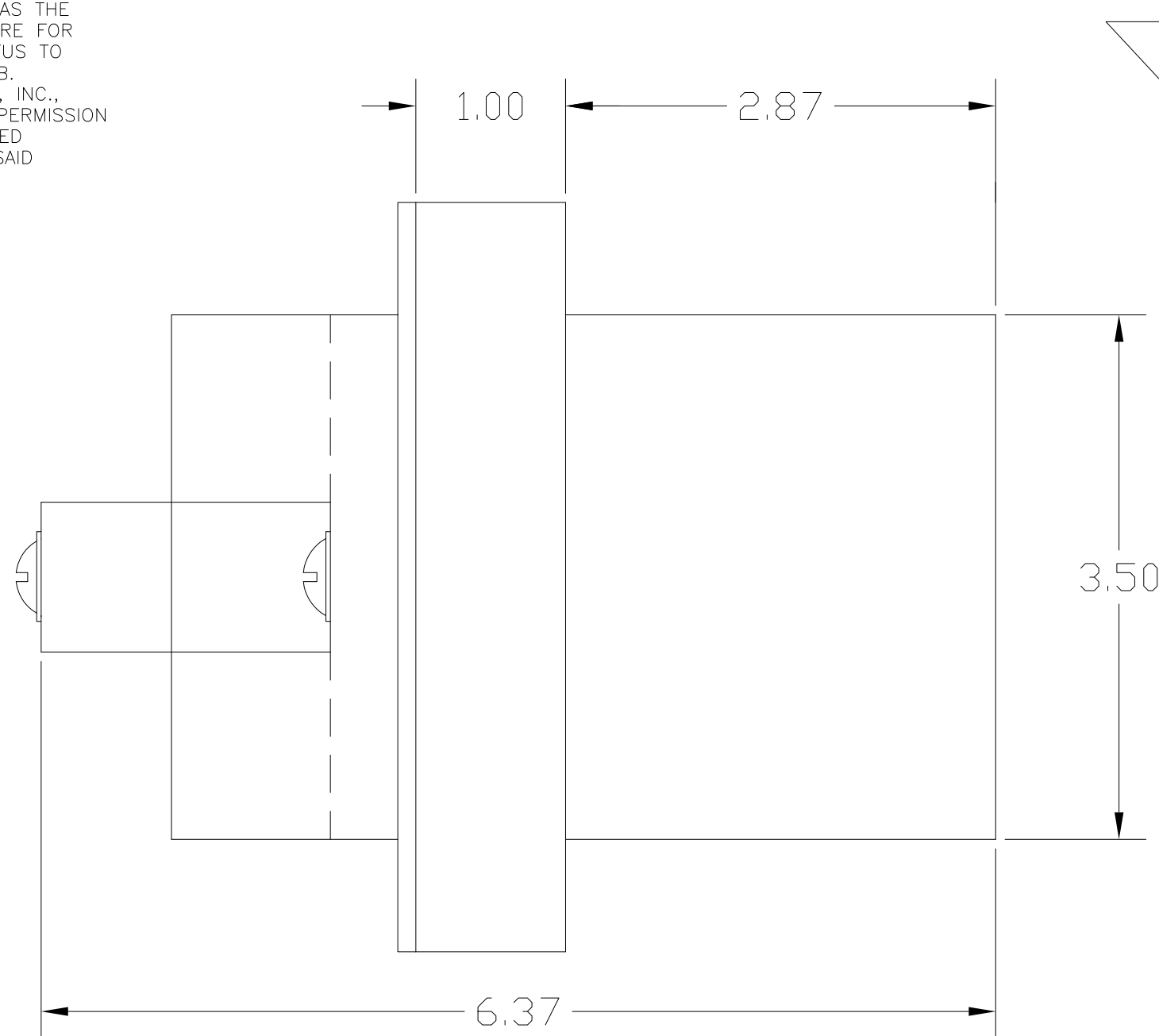
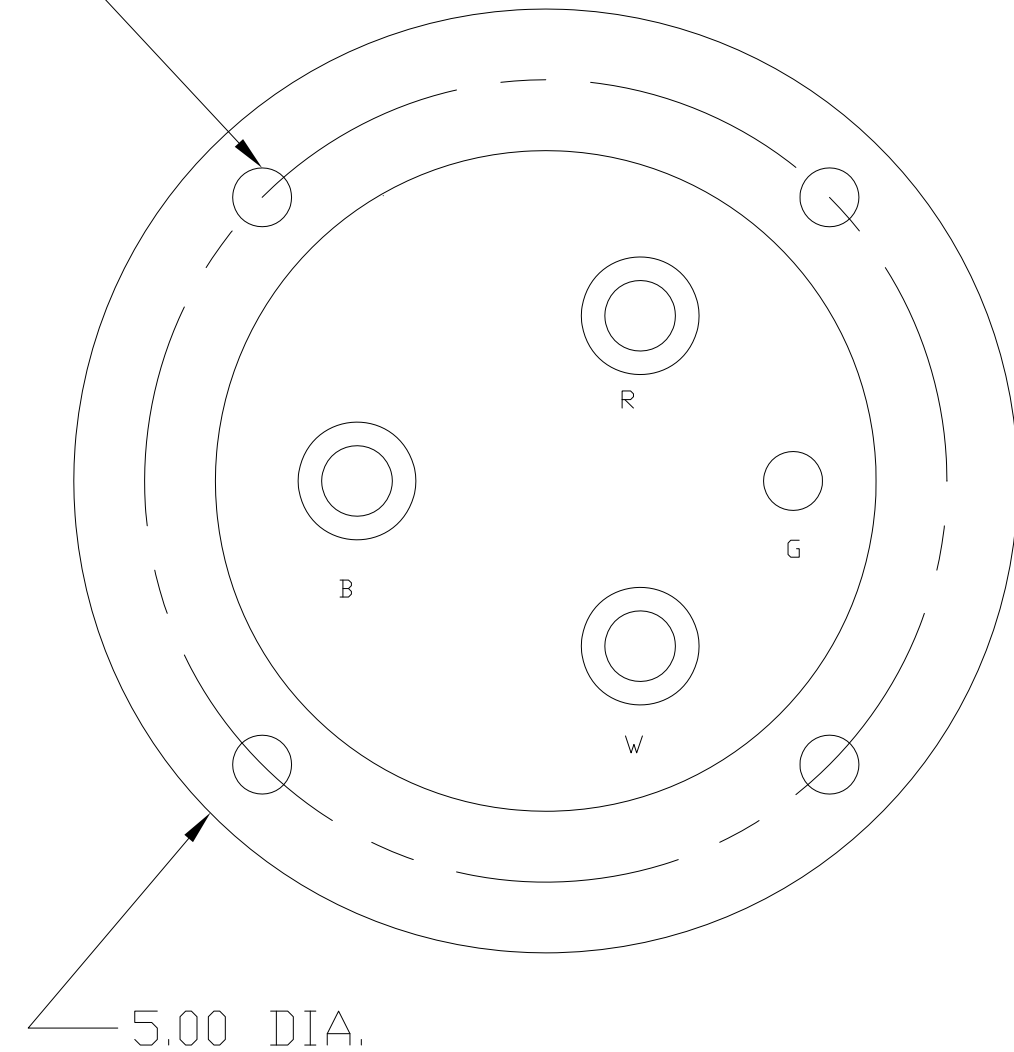




THIS DRAWING/SPECIFICATION CONTAINS PROPRIETARY INFORMATION OF THE J.B. NOTTINGHAM AND CO., INC./DURALINE, WHICH SHALL NOT BE PUBLISHED, REPRODUCED, COPIED, FURTHER DISCLOSED AS THE BASIS OF MANUFACTURE FOR OR SALE OF APPARATUS TO OTHERS THAN THE J.B. NOTTINGHAM AND CO., INC., EXCEPT BY WRITTEN PERMISSION OF A DULY AUTHORIZED REPRESENTATIVE OF SAID COMPANY.

REVISIONS				
ZONE	REV	DESCRIPTION	DATE	APPROVED



(4) .31 DIA. HOLES ON A 4.25 CIRCLE
90 DEGREE SPACING



DIMENSIONS IN INCHES UNLESS OTHERWISE NOTED. TOLERANCES: FRAC. DEC. ANG.		60FR3P4 FEMALE RECEPTACLE		
MATERIAL: BODY IS MOLDED HYPALON	APPROVALS	DATE	 DIV. OF J.B. NOTTINGHAM 75 HOFFMAN LANE ISLANDIA, NY 11749 	
FINISH:	DRAWN TP	10/18/94	SIZE A	REV.
DO NOT SCALE DRAWING	CHECKED		FSCM NO. 16998	DWG. NO. SM13740X
	ISSUED		SCALE	SHEET 1 OF 1