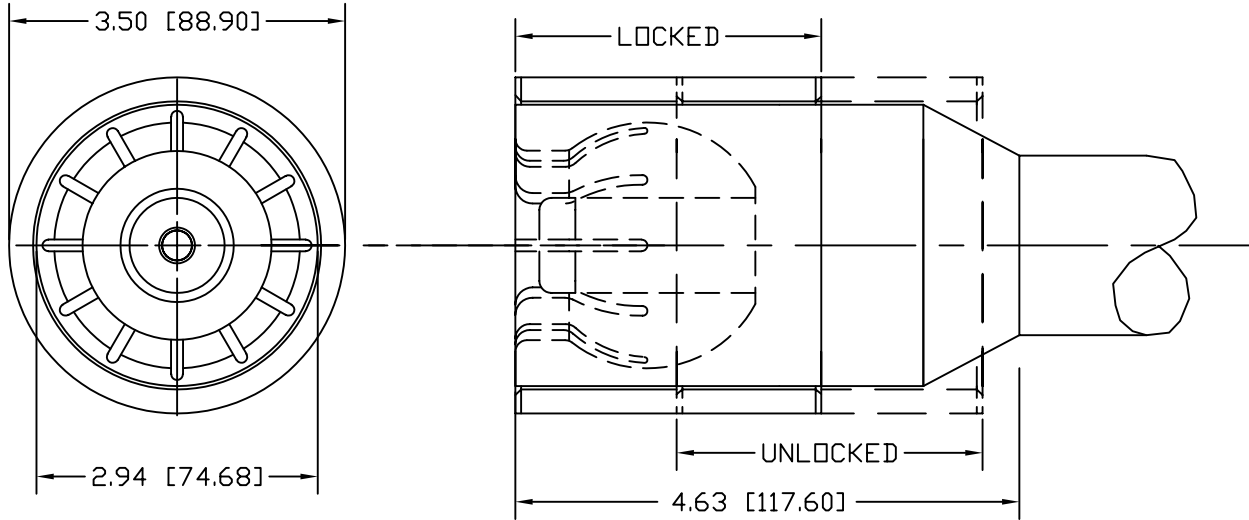


THIS DRAWING/SPECIFICATION
CONTAINS PROPRIETARY
INFORMATION OF THE J.B.
NOTTINGHAM AND CO., INC./
DURALINE, WHICH SHALL NOT BE
PUBLISHED, REPRODUCED, COPIED,
FURTHER DISCLOSED AS THE
BASIS OF MANUFACTURE FOR
OR SALE OF APPARATUS TO
OTHERS THAN THE J.B.
NOTTINGHAM AND CO., INC.,
EXCEPT BY WRITTEN PERMISSION
OF A DULY AUTHORIZED
REPRESENTATIVE OF SAID
COMPANY.

REVISIONS			
REV.	DESCRIPTION	DATE	APPROVED



NOTE:
DIMENSIONS SHOWN IN BRACKETS
ARE IN MM.
MOLDED PROTECTIVE CAP ASSEMBLY PROVIDED

QTY.	CODE	PART NUMBER	NOMENCLATURE OR DESCRIPTION		MATERIAL	ITEM
PARTS LIST						
DIMENSIONS IN INCHES UNLESS OTHERWISE NOTED. TOLERANCES:					518 MALE IN-LINE CONN.	
FRAC.	DEC.	ANG.	APPROVALS	DATE	DIV. J.B. NOTTINGHAM 75 HOFFMAN LANE CENTRAL ISLIP, NY 11722	
MATERIAL: BODY IS MOLDED HYPALON			DRAWN T.P.	07/22/97	DURALINE	
FINISH:			CHECKED		SIZE	REV.
			ISSUED		FSCM NO. 16998	DWG. NO. SM151817
DO NOT SCALE DRAWING					SCALE	SHEET 1 OF 1