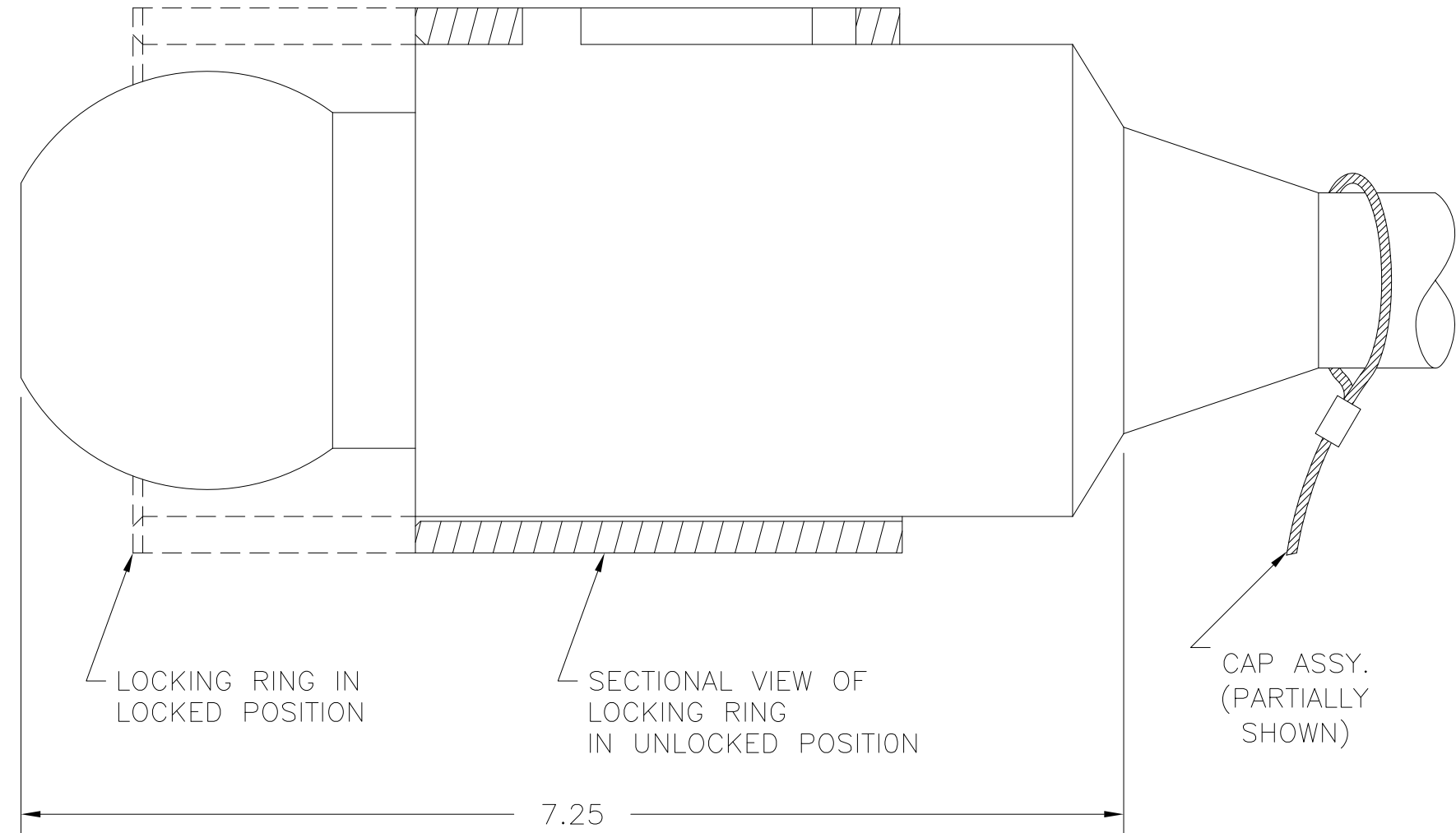
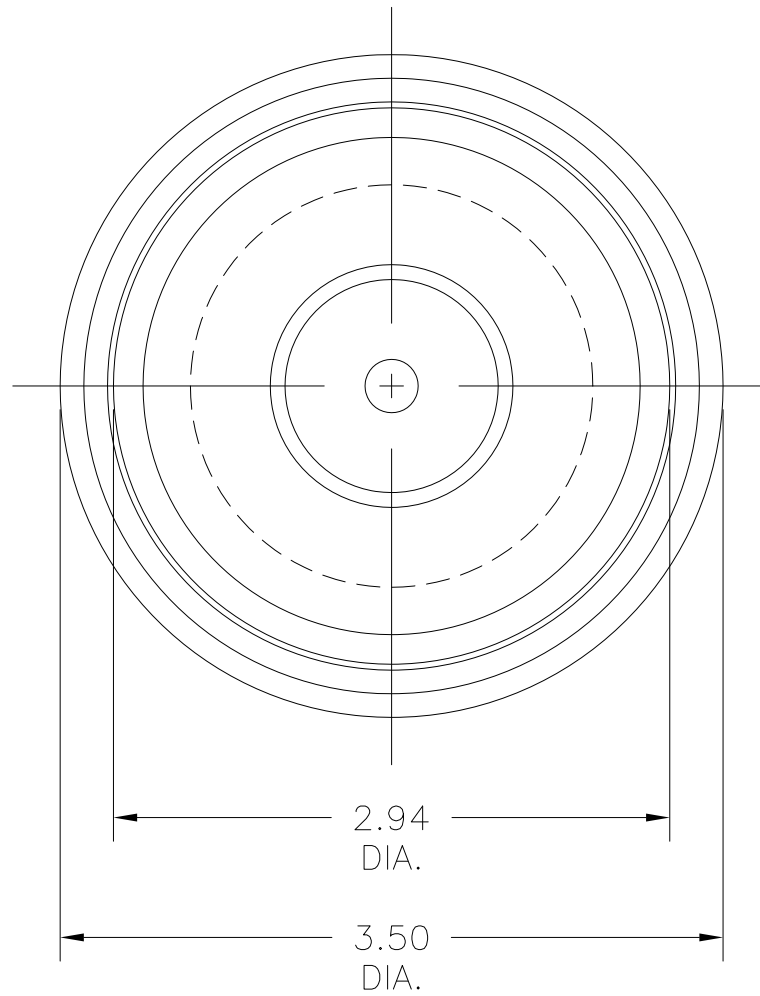




THIS DRAWING/SPECIFICATION CONTAINS PROPRIETARY INFORMATION OF THE J.B. NOTTINGHAM AND CO., INC./DURALINE, WHICH SHALL NOT BE PUBLISHED, REPRODUCED, COPIED, FURTHER DISCLOSED AS THE BASIS OF MANUFACTURE FOR OR SALE OF APPARATUS TO OTHERS THAN THE J.B. NOTTINGHAM AND CO., INC., EXCEPT BY WRITTEN PERMISSION OF A DULY AUTHORIZED REPRESENTATIVE OF SAID COMPANY.

REVISIONS				
ZONE	REV	DESCRIPTION	DATE	APPROVED



		DIMENSIONS IN INCHES UNLESS OTHERWISE NOTED. TOLERANCES:				518 SR. FEMALE IN-LINE CONNECTOR W/REVERSE LOCKING RING	
		FRAC.	DEC.	ANG.	APPROVALS	DATE	 DIV. OF J.B. NOTTINGHAM 75 HOFFMAN LANE ISLANDIA, NY 11749 
		MATERIAL:			DRAWN	TP 9/17/91	
		FINISH :			CHECKED	9/18/91	
NEXT ASSY	USED ON				ISSUED		
APPLICATION		DO NOT SCALE DRAWING		DR	2/7/03	SCALE	DWG. NO. SM151819 REV.
						SHEET	