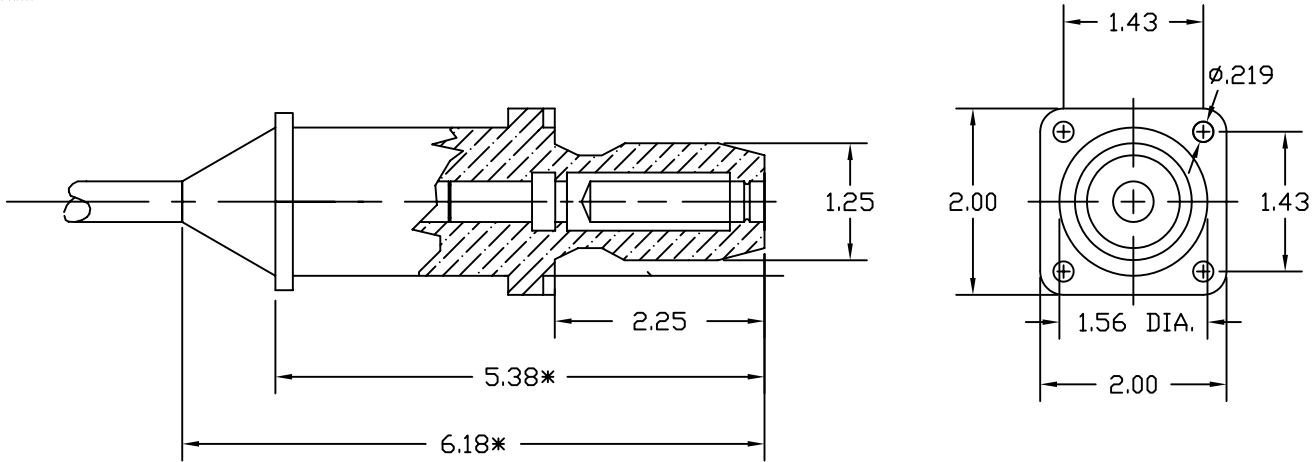


THIS DRAWING/SPECIFICATION
CONTAINS PROPRIETARY
INFORMATION OF THE J.B.
NOTTINGHAM AND CO., INC.,
DURALINE, WHICH SHALL NOT BE
PUBLISHED, REPRODUCED, COPIED,
FURTHER DISCLOSED AS THE
BASIS OF MANUFACTURE FOR
OR SALE OF APPARATUS TO
OTHERS THAN THE J.B.
NOTTINGHAM AND CO., INC.,
EXCEPT BY WRITTEN PERMISSION
OF A DULY AUTHORIZED
REPRESENTATIVE OF SAID
COMPANY.

| REVISIONS | | | |
|-----------|-------------|------|----------|
| REV. | DESCRIPTION | DATE | APPROVED |



* DIMENSIONS MAY INCREASE BY UP TO 1/2" WITH
ADDITION OF FLANGE.

| QTY. | CODE | PART NUMBER | NOMENCLATURE OR DESCRIPTION | MATERIAL | ITEM |
|--|------|-------------|--|-------------------|---------------------|
| PARTS LIST | | | | | |
| DIMENSIONS IN INCHES UNLESS OTHERWISE NOTED. TOLERANCES: | | | 518 MICRO - FEMALE RECEPTACLE | | |
| FRAC. | DEC. | ANG. | APPROVALS | DATE | |
| | | | DRAWN T.P. | 11/1/00 | |
| MATERIAL: | | | DURALINE DIV. J.B. NOTTINGHAM 75 HOFFMAN LANE ISLANDIA, NY 11749 | | |
| FINISH: | | | CHECKED | ISSUED | REV. |
| | | | SIZE A | FSCM NO. 16998 | DWG. NO. M173801 |
| DO NOT SCALE DRAWING | | | DR | 1/21/03 | SCALE SHEET |