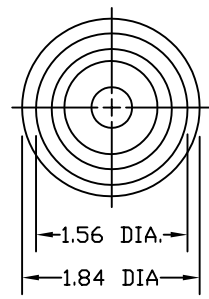
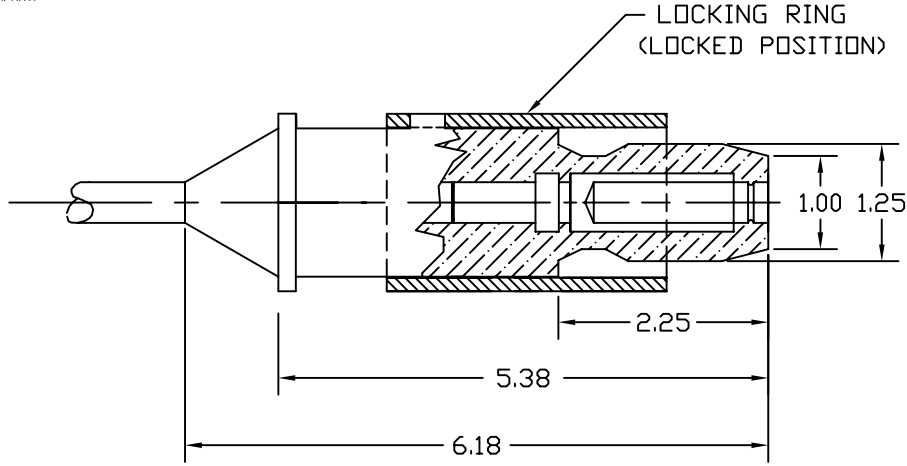



THIS DRAWING/SPECIFICATION CONTAINS PROPRIETARY INFORMATION OF THE J.B. NOTTINGHAM AND CO., INC./ DURALINE, WHICH SHALL NOT BE PUBLISHED, REPRODUCED, COPIED, FURTHER DISCLOSED AS THE BASIS OF MANUFACTURE FOR OR SALE OF APPARATUS TO OTHERS THAN THE J.B. NOTTINGHAM AND CO., INC., EXCEPT BY WRITTEN PERMISSION OF A DULY AUTHORIZED REPRESENTATIVE OF SAID COMPANY.

REVISIONS			
REV.	DESCRIPTION	DATE	APPROVED

LOCKING RING
(LOCKED POSITION)



DIMENSIONS IN INCHES UNLESS OTHERWISE NOTED. TOLERANCES:			518 MICRO - CONN LOCKING RING				
FRAC.	DEC.	ANG.	APPROVALS	DATE	 DIV. J.B. NOTTINGHAM 75 HOFFMAN LANE ISLANDIA, NY 11749		
MATERIAL			DRAWN	T.P.			4/15/96
FINISH			CHECKED		SIZE	FSCM NO. 16998	
DO NOT SCALE DRAWING			ISSUED		A		DWG. NO. 518MICROFEMALECONNOPT
			DR	2/28/05	SCALE		REV.
						SHEET	