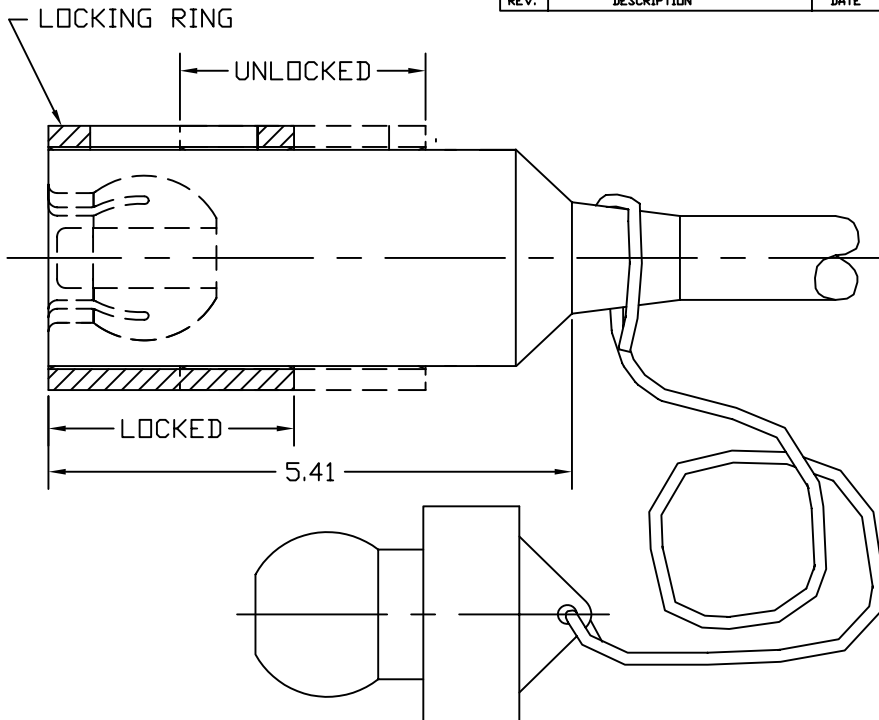
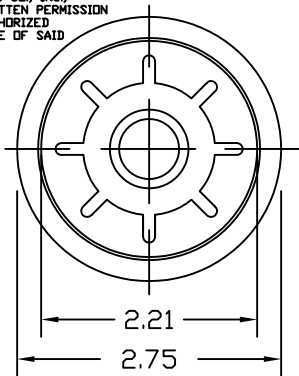


THIS DRAWING/SPECIFICATION
CONTAINS PROPRIETARY
INFORMATION OF THE J.B
NOTTINGHAM AND CO., INC.,/
DURALINE, WHICH SHALL NOT BE
PUBLISHED, REPRODUCED, COPIED,
FURTHER DISCLOSED AS THE
BASIS OF MANUFACTURE FOR
OR SALE OF APPARATUS TO
OTHERS THAN THE J.B.
NOTTINGHAM AND CO., INC.,
EXCEPT BY WRITTEN PERMISSION
OF A DULY AUTHORIZED
REPRESENTATIVE OF SAID
COMPANY.



REVISIONS			
REV.	DESCRIPTION	DATE	APPROVED

QTY.	CODE	PART NUMBER	NOMENCLATURE OR DESCRIPTION		MATERIAL	ITEM
PARTS LIST						
DIMENSIONS IN INCHES UNLESS OTHERWISE NOTED. TOLERANCES:			518 JR. MALE IN-LINE CONNECTOR			
FRAC.	DEC.	ANG.	APPROVALS	DATE	DURALINE DIV. J.B. NOTTINGHAM 75 HOFFMAN LANE ISLANDIA, NY 11749	
MATERIAL			DRAWN T.P.	11/14/94		
FINISH			CHECKED	ISSUED	SIZE A	FSCM NO. 16998
DO NOT SCALE DRAWING			DR	11/21/03	SCALE	DWG. NO. SM151841
						REV. SHEET 1 OF 1