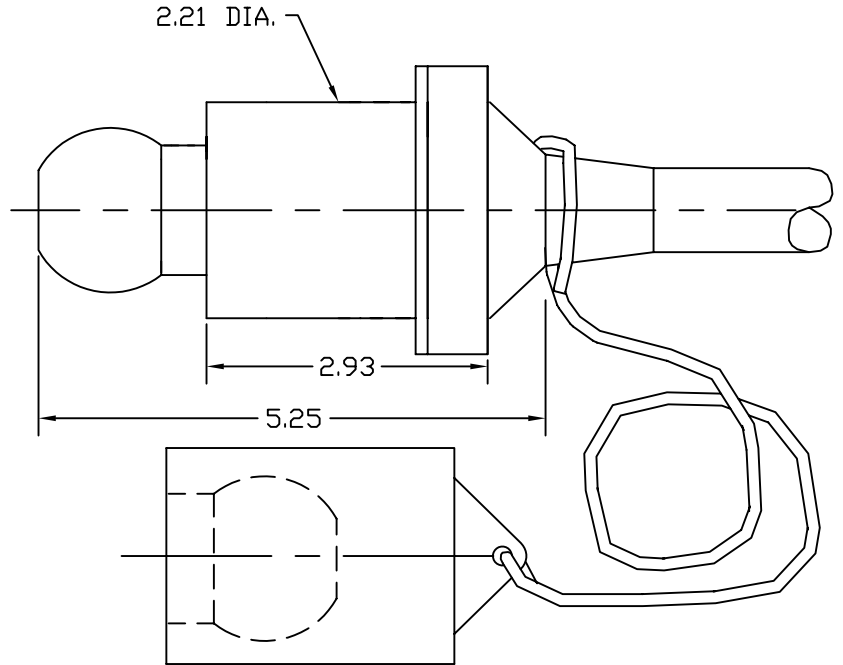
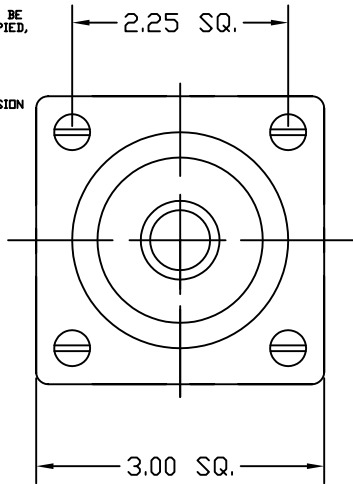


THIS DRAWING/SPECIFICATION CONTAINS PROPRIETARY INFORMATION OF THE J.B. NOTTINGHAM AND CO., INC., DURALINE, WHICH SHALL NOT BE PUBLISHED, REPRODUCED, COPIED, FURTHER DISCLOSED AS THE BASIS OF MANUFACTURE FOR OR SALE OF APPARATUS TO OTHERS THAN THE J.B. NOTTINGHAM AND CO., INC., EXCEPT BY WRITTEN PERMISSION OF A DULY AUTHORIZED REPRESENTATIVE OF SAID COMPANY.



REVISIONS			
REV.	DESCRIPTION	DATE	APPROVED

QTY.	CODE	PART NUMBER	NOMENCLATURE OR DESCRIPTION		MATERIAL	ITEM
PARTS LIST						
DIMENSIONS IN INCHES UNLESS OTHERWISE NOTED. TOLERANCES: FRAC. DEC. ANG.			518 JR. FEM. RECEPT., 2/0		DIV. J.B. NOTTINGHAM	
MATERIAL: BODY IS MOLDED HYPALON			APPROVALS	DATE	75 HOFFMAN LANE ISLANDIA, NY 11749	
FINISH:			DRAWN T.P.	11/14/94	<b>DURALINE</b>	
			CHECKED			
DO NOT SCALE DRAWING			ISSUED		SIZE A	FSCM NO. 16998
			DR	11/21/03	DWG. NO.	SM151851
				SCALE		REV. SHEET 1 OF 1