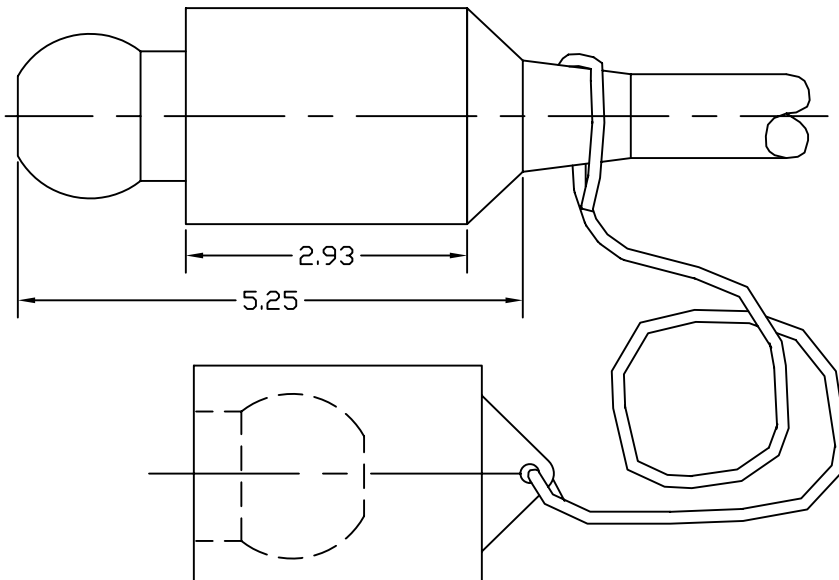
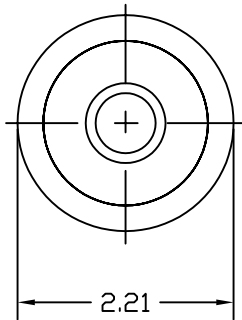


THIS DRAWING/SPECIFICATION  
CONTAINS PROPRIETARY  
INFORMATION OF THE J.B.  
NOTTINGHAM AND CO., INC./  
DURALINE, WHICH SHALL NOT BE  
PUBLISHED, REPRODUCED, COPIED,  
FURTHER DISCLOSED AS THE  
BASIS OF MANUFACTURE FOR  
OR SALE OF APPARATUS FOR  
OTHERS THAN THE J.B.  
NOTTINGHAM AND CO., INC.,  
EXCEPT BY WRITTEN PERMISSION  
OF A DULY AUTHORIZED  
REPRESENTATIVE OF SAID  
COMPANY.

REVISIONS			
REV.	DESCRIPTION	DATE	APPROVED



DIMENSIONS IN INCHES UNLESS OTHERWISE NOTED. TOLERANCES:		518 JR. FEMALE IN-LINE			
FRAC.	DEC.	ANG.	APPROVALS	DATE	DURALINE DIV. J.B. NOTTINGHAM 75 HOFFMAN LANE ISLANDIA, NY 11749
MATERIAL:			DRAWN T.P.	7/30/97	
FINISH:			CHECKED		SIZE A
			ISSUED		FSCM NO. 16998
DO NOT SCALE DRAWING			DR	11/21/03	DWG. NO. SM151845
					REV.
				SCALE	SHEET