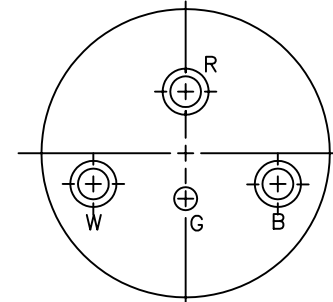
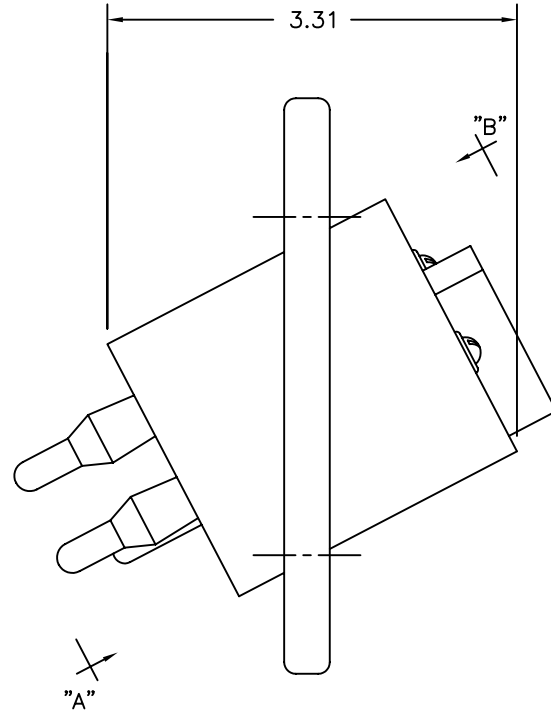
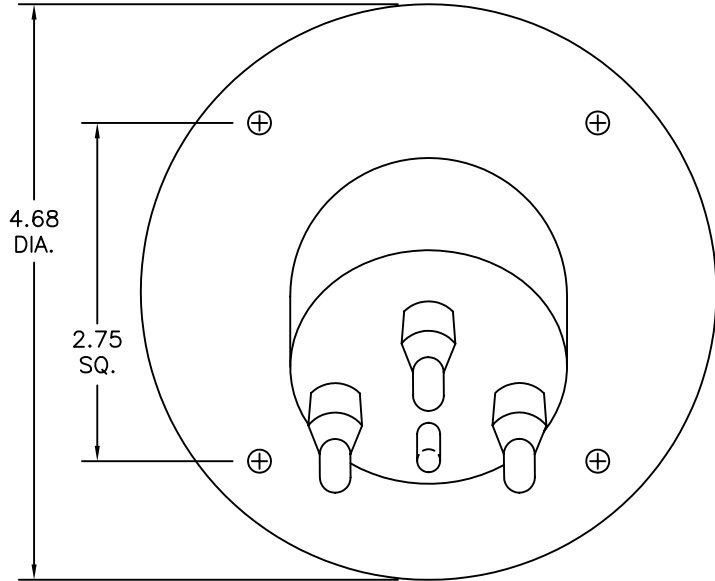
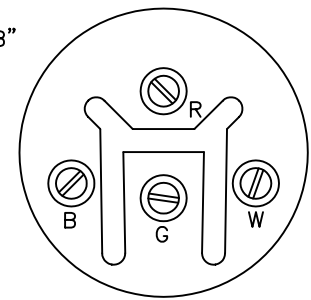


THIS DRAWING/SPECIFICATION CONTAINS PROPRIETARY INFORMATION OF THE J.B. NOTTINGHAM AND CO., INC./DURALINE, WHICH SHALL NOT BE PUBLISHED, REPRODUCED, COPIED, FURTHER DISCLOSED AS THE BASIS OF MANUFACTURE FOR OR SALE OF APPARATUS TO OTHERS THAN THE J.B. NOTTINGHAM AND CO., INC., EXCEPT BY WRITTEN PERMISSION OF A DULY AUTHORIZED REPRESENTATIVE OF SAID COMPANY.


REVISIONS				
ZONE	REV	DESCRIPTION	DATE	APPROVED



VIEW "A-A"



VIEW "B-B"

		DIMENSIONS IN INCHES UNLESS OTHERWISE NOTED. TOLERANCES: FRAC. DEC. ANG.				4MR20 MALE RECEPTACLE			
		MATERIAL:		APPROVALS	DATE	 DIV. OF J.B. NOTTINGHAM 75 HOFFMAN LANE ISLANDIA, NY 11749			
		FINISH :		DRAWN TP	12/10/90				
NEXT ASSY	USED ON			CHECKED DR	11/22/02	SIZE A	FSCM NO. 16998	DWG. NO. SM168400	REV.
APPLICATION		DO NOT SCALE DRAWING		ISSUED		SCALE		SHEET	