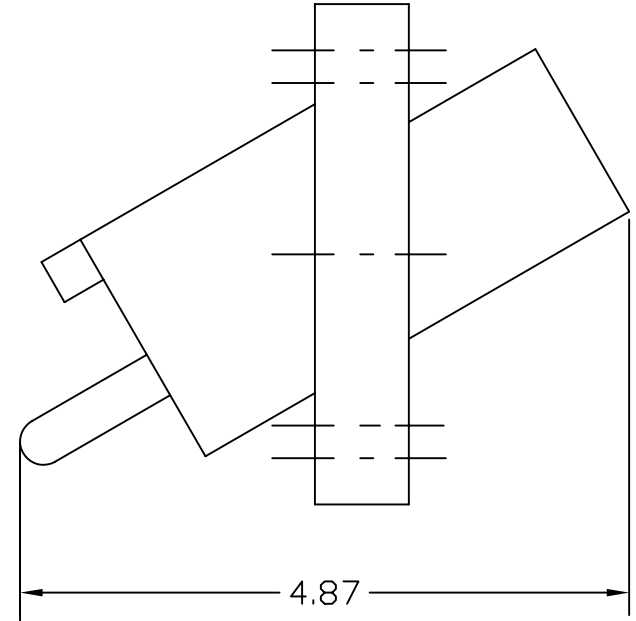
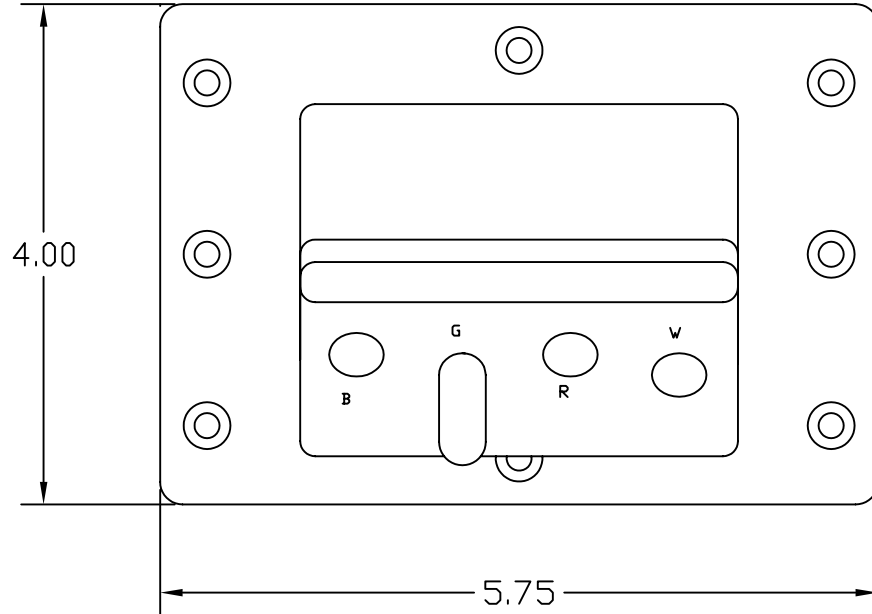



THIS DRAWING/SPECIFICATION
CONTAINS PROPRIETARY
INFORMATION OF THE J.B
NOTTINGHAM AND CO., INC.,/
DURALINE, WHICH SHALL NOT BE
PUBLISHED, REPRODUCED, COPIED,
FURTHER DISCLOSED AS THE
BASIS OF MANUFACTURE FOR
OR SALE OF APPARATUS TO
OTHERS THAN THE J.B.
NOTTINGHAM AND CO., INC.,
EXCEPT BY WRITTEN PERMISSION
OF A DULY AUTHORIZED
REPRESENTATIVE OF SAID
COMPANY.

REVISIONS			
REV.	DESCRIPTION	DATE	APPROVED



NOTE : CAP ASSEMBLY A203751 IS NOT SHOWN

DIMENSIONS IN INCHES UNLESS OTHERWISE NOTED. TOLERANCES:				4FR50 FEMALE RECEPTACLE				
FRAC.	DEC.	ANG.	APPROVALS	DATE	 DIV. J.B. NOTTINGHAM 75 HOFFMAN LANE ISLANDIA, NY 11749			
MATERIAL: BODY IS MOLDED HYPALON			DRAWN	T.P.				10/3/94
FINISH:			CHECKED					
DO NOT SCALE DRAWING			ISSUED		SIZE A	FSCM NO. 16998	DWG. NO. SM103704	REV.
						SHEET 1 OF 1		