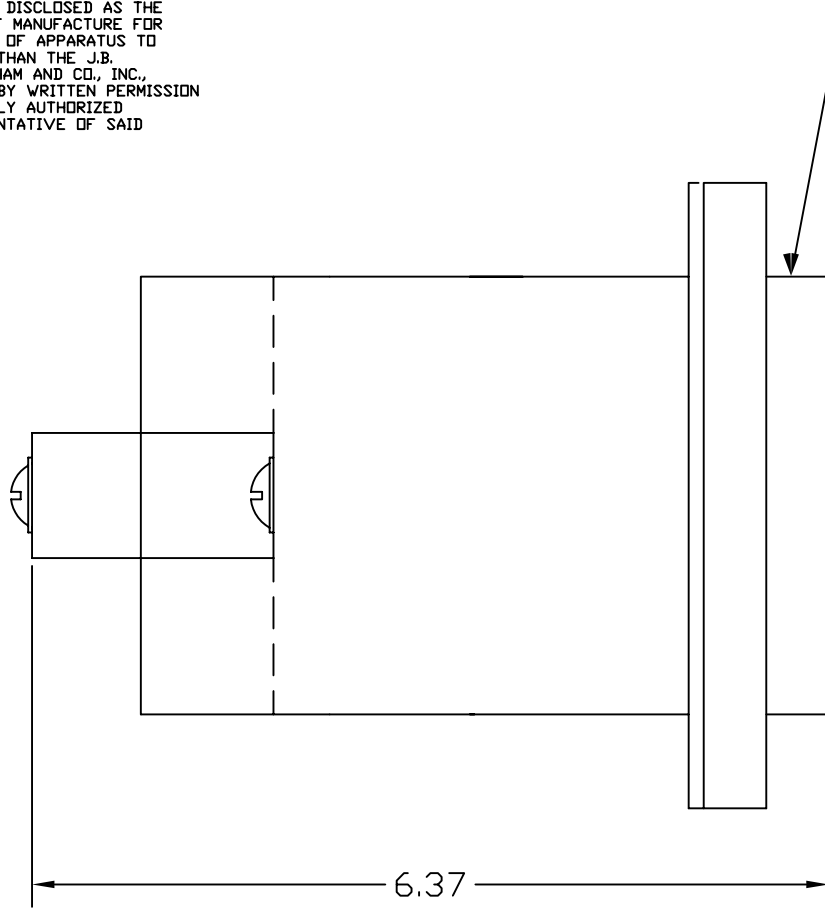
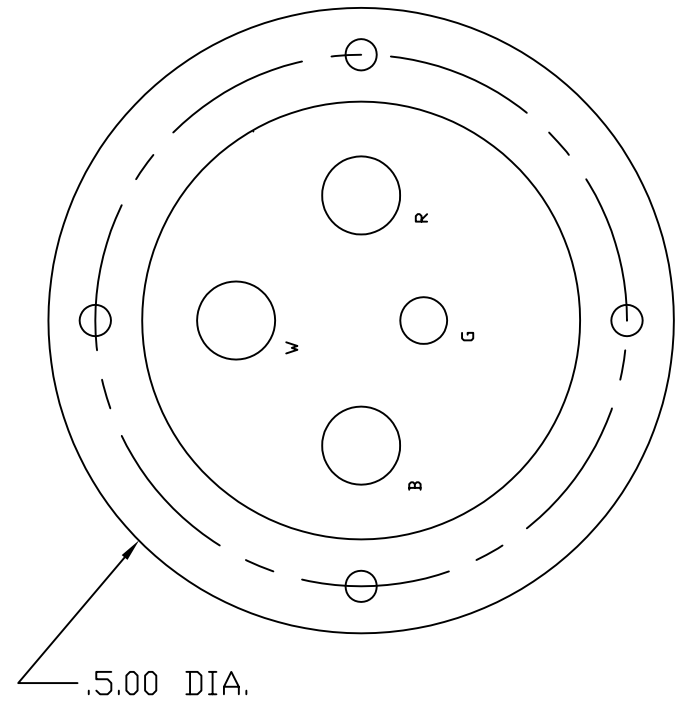



THIS DRAWING/SPECIFICATION
CONTAINS PROPRIETARY
INFORMATION OF THE J.B
NOTTINGHAM AND CO., INC.,/
DURALINE, WHICH SHALL NOT BE
PUBLISHED, REPRODUCED, COPIED,
FURTHER DISCLOSED AS THE
BASIS OF MANUFACTURE FOR
OR SALE OF APPARATUS TO
OTHERS THAN THE J.B.
NOTTINGHAM AND CO., INC.,
EXCEPT BY WRITTEN PERMISSION
OF A DULY AUTHORIZED
REPRESENTATIVE OF SAID
COMPANY.

REVISIONS			
REV.	DESCRIPTION	DATE	APPROVED



3.50 DIA.



DIMENSIONS IN INCHES UNLESS OTHERWISE NOTED. TOLERANCES: FRAC. DEC. ANG.				4FR110 FEMALE RECEPTACLE			
MATERIAL: BODY IS MOLDED HYPALON		APPROVALS	DATE	 DIV. J.B. NOTTINGHAM 75 HOFFMAN LANE ISLANDIA, NY 11749			
FINISH:		DRAWN T.P.	12/13/94				
DO NOT SCALE DRAWING		CHECKED	ISSUED	SIZE A	FSCM NO. 16998	DWG. NO. SM125900	REV.
				SCALE	SHEET 1 OF 1		