

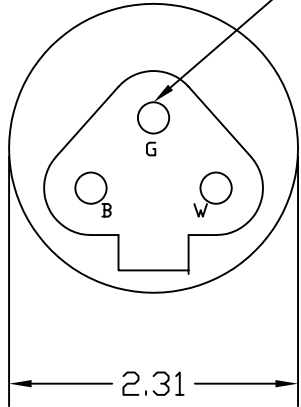
THIS DRAWING/SPECIFICATION CONTAINS PROPRIETARY INFORMATION OF THE J.B. NOTTINGHAM AND CO., INC.,/ DURALINE, WHICH SHALL NOT BE PUBLISHED, REPRODUCED, COPIED, FURTHER DISCLOSED AS THE BASIS OF MANUFACTURE FOR OR SALE OF APPARATUS TO OTHERS THAN THE J.B. NOTTINGHAM AND CO., INC., EXCEPT BY WRITTEN PERMISSION OF A DULY AUTHORIZED REPRESENTATIVE OF SAID COMPANY.

| REVISIONS |             |      |          |
|-----------|-------------|------|----------|
| REV.      | DESCRIPTION | DATE | APPROVED |
|           |             |      |          |

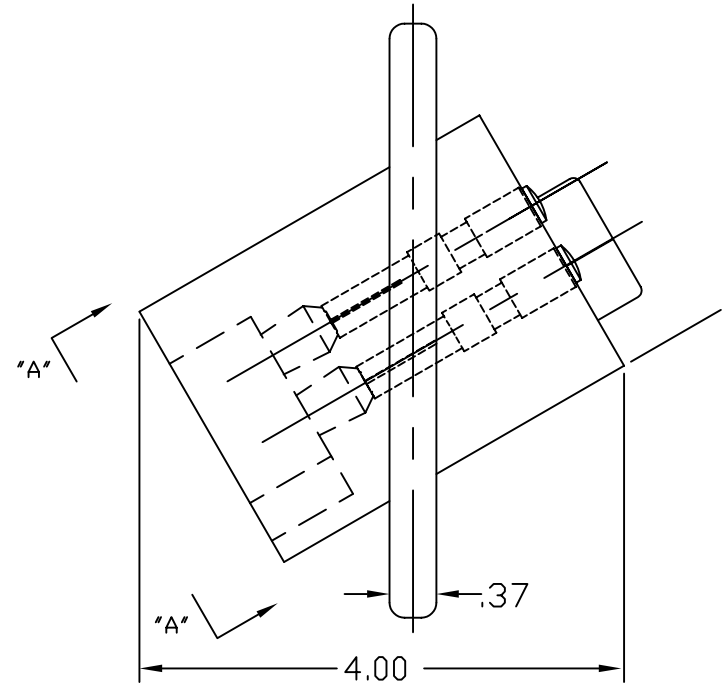
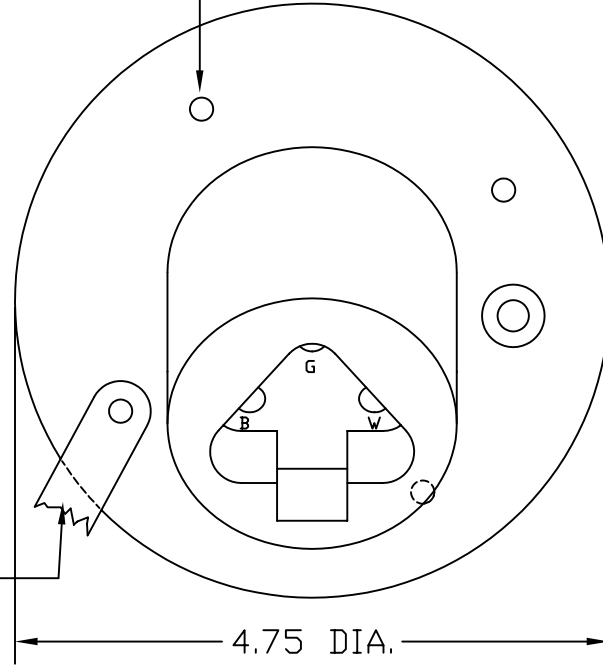
MTG. HOLES  
(3 PL.)


VIEW "A-A"

BARREL  
(TYP. 3 PL.)



MOLDED CAP  
(NOT SHOWN)



|  |          |          |           |   |   |       |        |         |
|--|----------|----------|-----------|---|---|-------|--------|---------|
| DIMENSIONS IN INCHES<br>UNLESS OTHERWISE NOTED.<br>TOLERANCES: |          |          |           | 120 V., 2 POLE, 3 WIRE, GROUNDED<br>FEMALE RECEPTACLE (3RT20-S) |   |       |        |         |
| FRAC.  | DEC.     | ANG.     | APPROVALS | DATE  |  DIV. J.B. NOTTINGHAM<br>75 HOFFMAN LANE<br>ISLANDIA, NY 11749 |       |        |         |
| MATERIAL:  |          |          | DRAWN     | T.P.  |   |       |        | 4/12/99 |
| FINISH:  |          |          | CHECKED   |   |   |       |        |         |
| DO NOT SCALE DRAWING   |          |          | ISSUED    |   |   |       |        |         |
| SIZE   | FSCM NO. | DWG. NO. |           |   | REV.  |       |        |         |
| A  | 16998    | SM128901 |           |   |   |       |        |         |
|  |          |          | SCALE     |   |   | SHEET | 1 OF 1 |         |