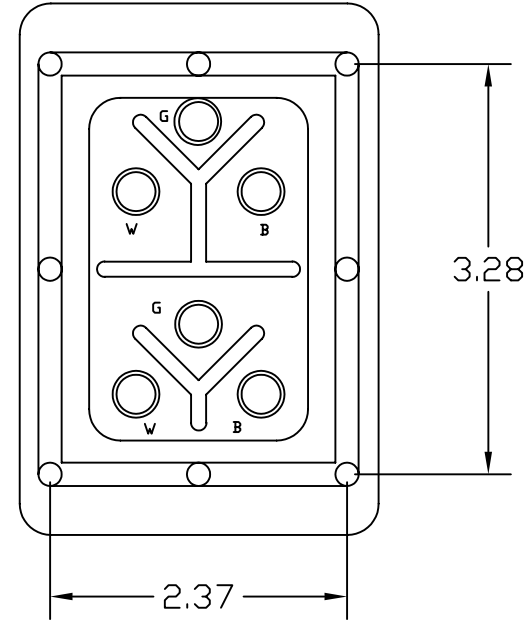
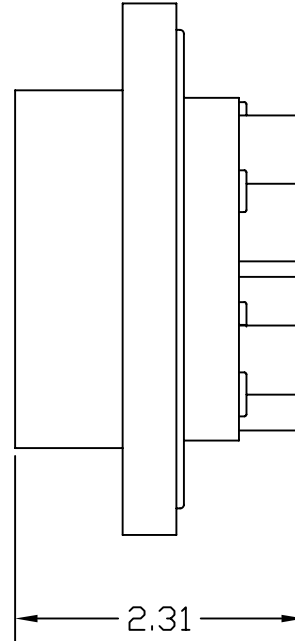
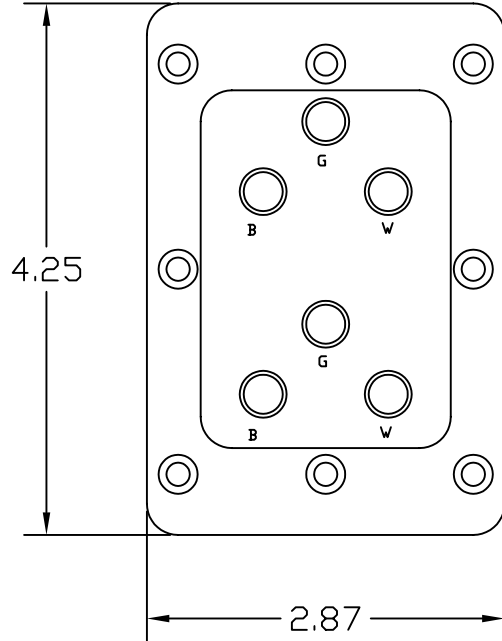



THIS DRAWING/SPECIFICATION
 CONTAINS PROPRIETARY
 INFORMATION OF THE J.B
 NOTTINGHAM AND CO., INC.,/
 DURALINE, WHICH SHALL NOT BE
 PUBLISHED, REPRODUCED, COPIED,
 FURTHER DISCLOSED AS THE
 BASIS OF MANUFACTURE FOR
 OR SALE OF APPARATUS TO
 OTHERS THAN THE J.B.
 NOTTINGHAM AND CO., INC.,
 EXCEPT BY WRITTEN PERMISSION
 OF A DULY AUTHORIZED
 REPRESENTATIVE OF SAID
 COMPANY.

REVISIONS			
REV.	DESCRIPTION	DATE	APPROVED



DIMENSIONS IN INCHES UNLESS OTHERWISE NOTED. TOLERANCES:				3RT20-D2 FEMALE RECEPTACLE				
FRAC.	DEC.	ANG.	APPROVALS	DATE	 DIV. J.B. NOTTINGHAM 75 HOFFMAN LANE ISLANDIA, NY 11749			
			DRAWN	T.P.				12/19/94
MATERIAL:			CHECKED		SIZE	FSCM NO.	DWG. NO.	REV.
			ISSUED		A	16998	SM12680X	
DO NOT SCALE DRAWING				SCALE	SHEET 1 OF 1			