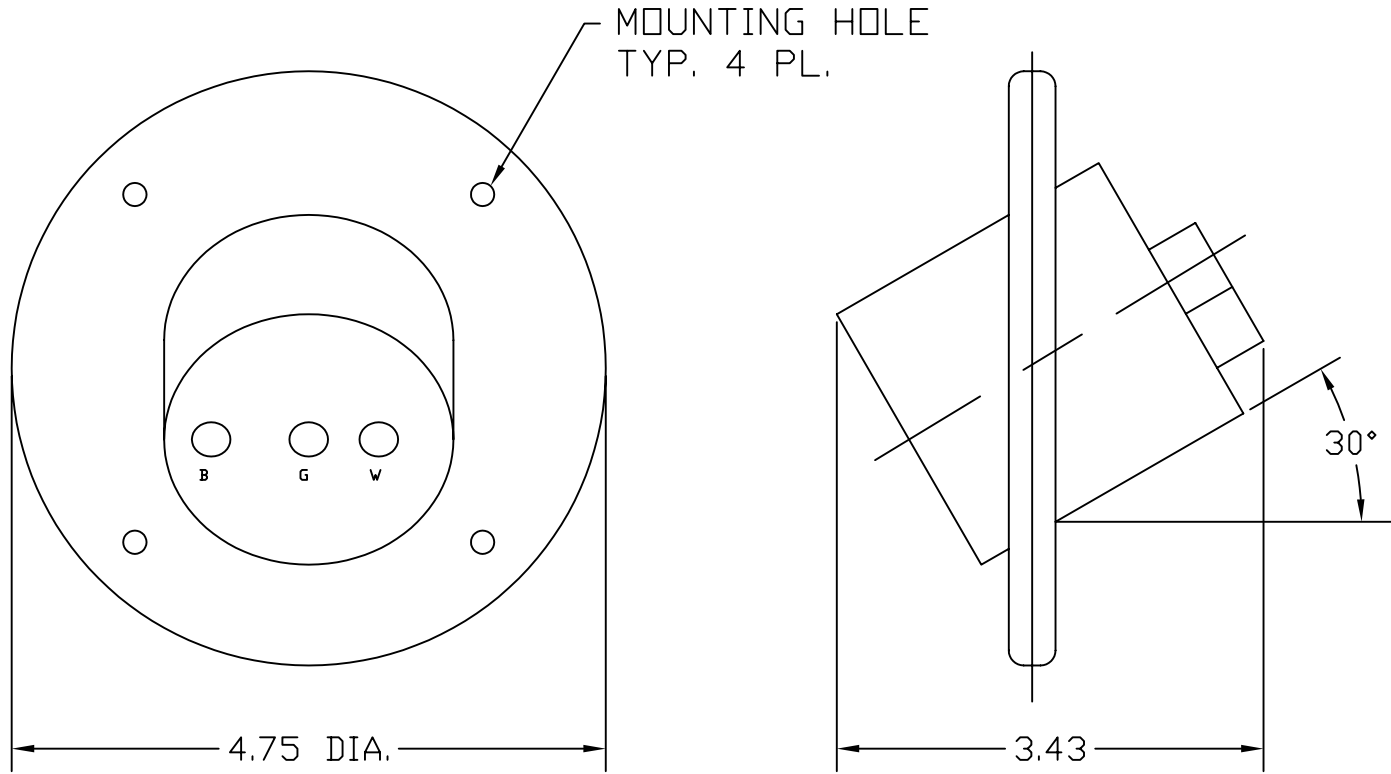



THIS DRAWING/SPECIFICATION
CONTAINS PROPRIETARY
INFORMATION OF THE J.B.
NOTTINGHAM AND CO., INC.,/
DURALINE, WHICH SHALL NOT BE
PUBLISHED, REPRODUCED, COPIED,
FURTHER DISCLOSED AS THE
BASIS OF MANUFACTURE FOR
OR SALE OF APPARATUS TO
OTHERS THAN THE J.B.
NOTTINGHAM AND CO., INC.,
EXCEPT BY WRITTEN PERMISSION
OF A DULY AUTHORIZED
REPRESENTATIVE OF SAID
COMPANY.

REVISIONS			
REV.	DESCRIPTION	DATE	APPROVED



NOTE : CAP ASSEMBLY A256901 IS NOT SHOWN

DIMENSIONS IN INCHES UNLESS OTHERWISE NOTED. TOLERANCES:					3R20 FEM. RECEPTACLE			
FRAC.	DEC.	ANG.	APPROVALS	DATE	 DIV. J.B. NOTTINGHAM 75 HOFFMAN LANE ISLANDIA, NY 11749			
MATERIAL: BODY IS MOLDED HYPALON			DRAWN T.P.	12/05/94				
FINISH:			CHECKED		SIZE	FSCM NO.	DWG. NO.	REV.
			ISSUED		A	16998	SM123100	
DO NOT SCALE DRAWING					SCALE		SHEET	