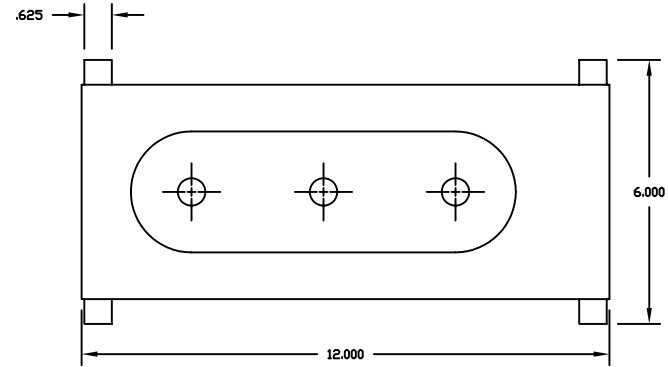
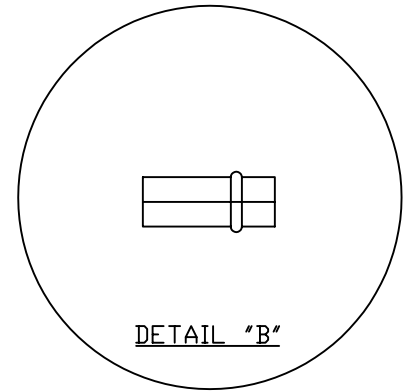
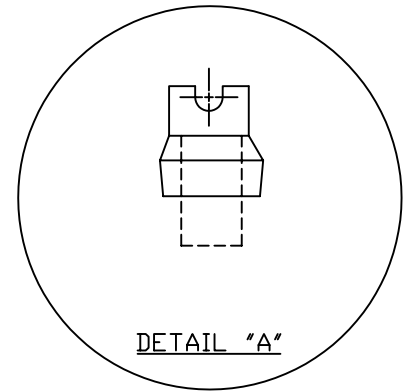
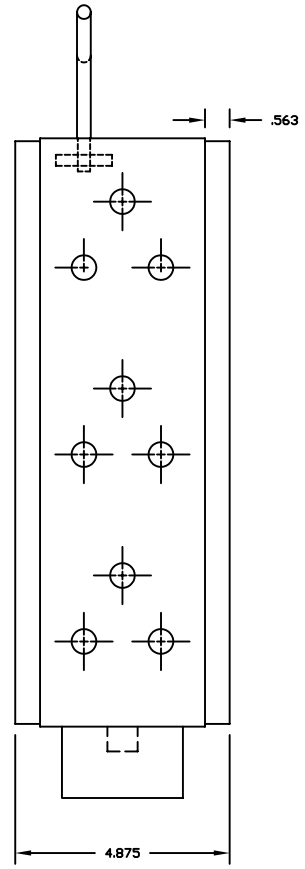
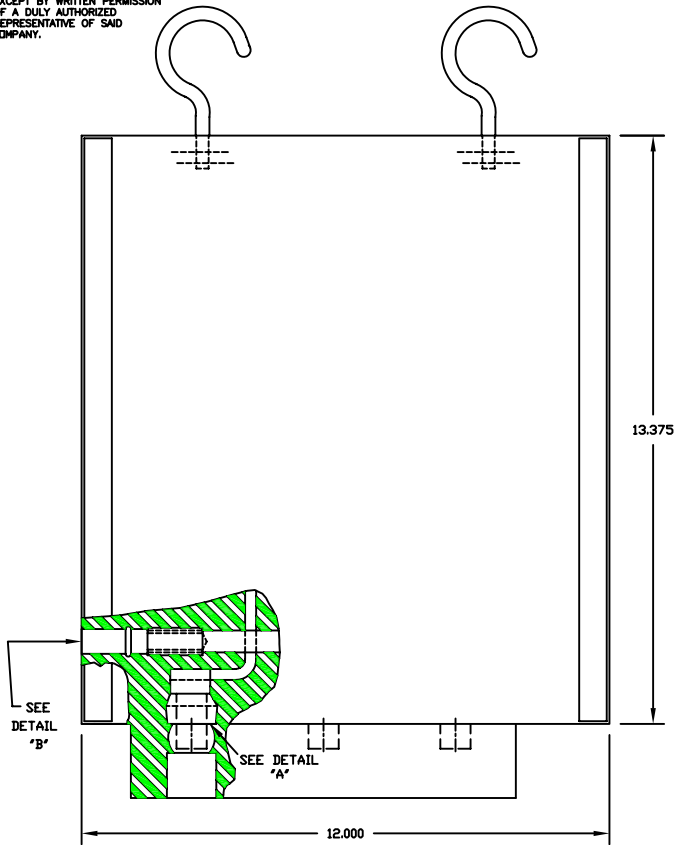


THIS DRAWING/SPECIFICATION  
CONTAINS PROPRIETARY  
INFORMATION OF THE J.B.  
NOTTINGHAM AND CO., INC./  
DURALINE WHICH SHALL NOT BE  
PUBLISHED, REPRODUCED, COPIED,  
FURTHER DISCLOSED AS THE  
BASIS OF MANUFACTURE FOR  
OR SALE OF APPARATUS TO  
OTHERS THAN THE J.B.  
NOTTINGHAM AND CO., INC.,  
EXCEPT BY WRITTEN PERMISSION  
OF A DULY AUTHORIZED  
REPRESENTATIVE OF SAID  
COMPANY.

REVISIONS				
ZONE	LTR	DESCRIPTION	DATE	APPROVED



		UNLESS OTHERWISE SPECIFIED DIMENSIONS ARE IN INCHES TOLERANCES ON FRACTIONS DECIMALS ANGLES	DRAWING STARTED	DATE
			DRAWN	T.P. 8/27/84
			CHECKED	D.R. 8/8/02
			ENGR	
		FINISH		
NEXT ASSY	USED ON			
APPLICATION				

3P6 DISTRIBUTION BLOCK			
<b>Duraline</b> DIV. J.B. NOTTINGHAM 75 HOFFMAN LANE ISLANDIA, NY 11749			
SIZE	CODE IDENT NO.	REV.	
C	16998	SM102700	
SCALE		SHEET	