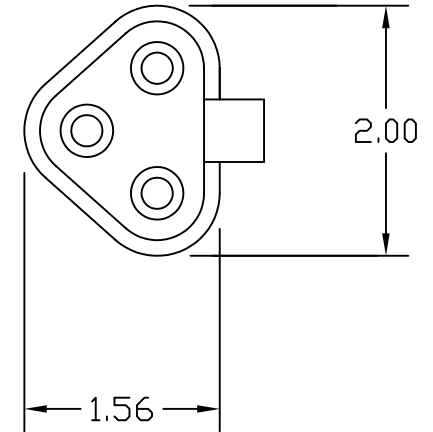
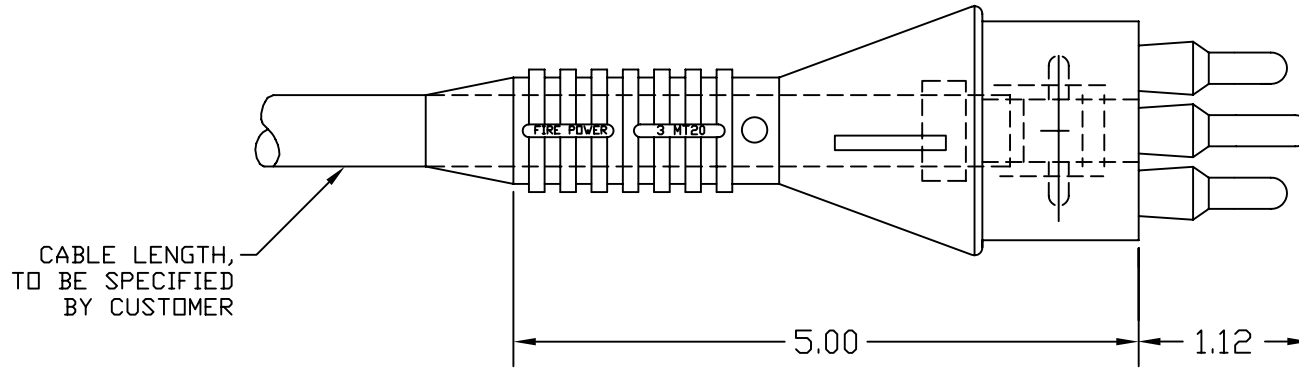



THIS DRAWING/SPECIFICATION CONTAINS PROPRIETARY INFORMATION OF THE J.B. NOTTINGHAM AND CO., INC.,/ DURALINE, WHICH SHALL NOT BE PUBLISHED, REPRODUCED, COPIED, FURTHER DISCLOSED AS THE BASIS OF MANUFACTURE FOR OR SALE OF APPARATUS TO OTHERS THAN THE J.B. NOTTINGHAM AND CO., INC., EXCEPT BY WRITTEN PERMISSION OF A DULY AUTHORIZED REPRESENTATIVE OF SAID COMPANY.

REVISIONS			
REV.	DESCRIPTION	DATE	APPROVED



NO CHANGES SHALL BE MADE PRIOR TO FMRC APPROVAL

*VOLTAGE DROP MUST BE CONSIDERED WHEN DETERMINING LENGTH PER APPLICATION.

DIMENSIONS IN INCHES UNLESS OTHERWISE NOTED. TOLERANCES:		3MT20 MALE PLUG							
FRAC.	DEC.	ANG.	APPROVALS	DATE	 DIV. OF J.B. NOTTINGHAM 75 HOFFMAN LANE ISLANDIA, NY 11749				
MATERIAL:			DRAWN	T.P.		5/6/02			
FINISH:			CHECKED	D.R.		9/13/02			
DO NOT SCALE DRAWING			ISSUED		SIZE	FSCM NO.	DWG. NO.	SM102400	REV.
					A	16998			
					SCALE			SHEET	