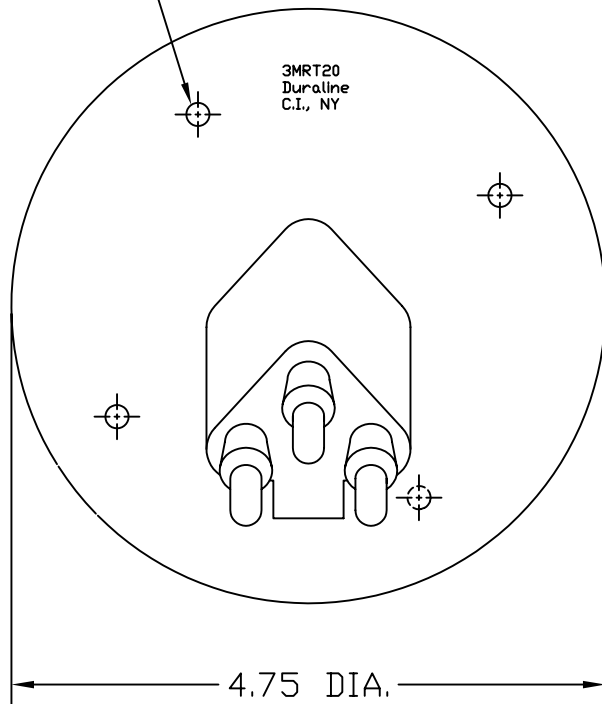


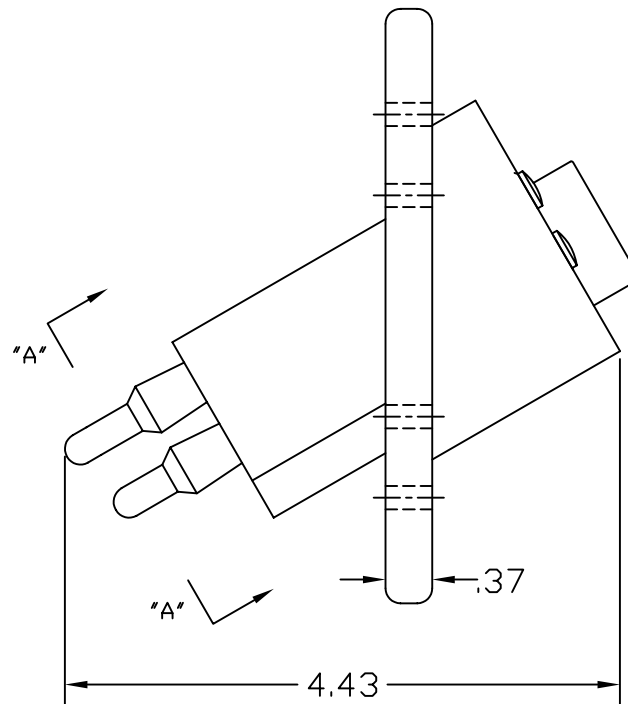
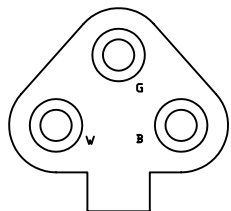
THIS DRAWING/SPECIFICATION  
CONTAINS PROPRIETARY  
INFORMATION OF THE J.B.  
NOTTINGHAM AND CO., INC.,/  
DURALINE, WHICH SHALL NOT BE  
PUBLISHED, REPRODUCED, COPIED,  
FURTHER DISCLOSED AS THE  
BASIS OF MANUFACTURE FOR  
OR SALE OF APPARATUS TO  
OTHERS THAN THE J.B.  
NOTTINGHAM AND CO., INC.,  
EXCEPT BY WRITTEN PERMISSION  
OF A DULY AUTHORIZED  
REPRESENTATIVE OF SAID  
COMPANY.


REVISIONS			
REV.	DESCRIPTION	DATE	APPROVED

MTG. HOLES  
(TYP. 4 PL.)



VIEW "A-A"



DIMENSIONS IN INCHES UNLESS OTHERWISE NOTED. TOLERANCES:				3MRT20 MALE RECEPTACLE				
FRAC.	DEC.	ANG.	APPROVALS	DATE	 DIV. J.B. NOTTINGHAM 75 HOFFMAN LANE ISLANDIA, NY 11749			
			DRAWN T.P.	8/29/00				
MATERIAL: BODY IS MOLDED HYPALON			CHECKED		SIZE	FSCM NO.	DWG. NO.	REV.
FINISH:			ISSUED		A	16998	SM177600	
DO NOT SCALE DRAWING			DR	5/7/04	SCALE		SHEET	1 OF 1