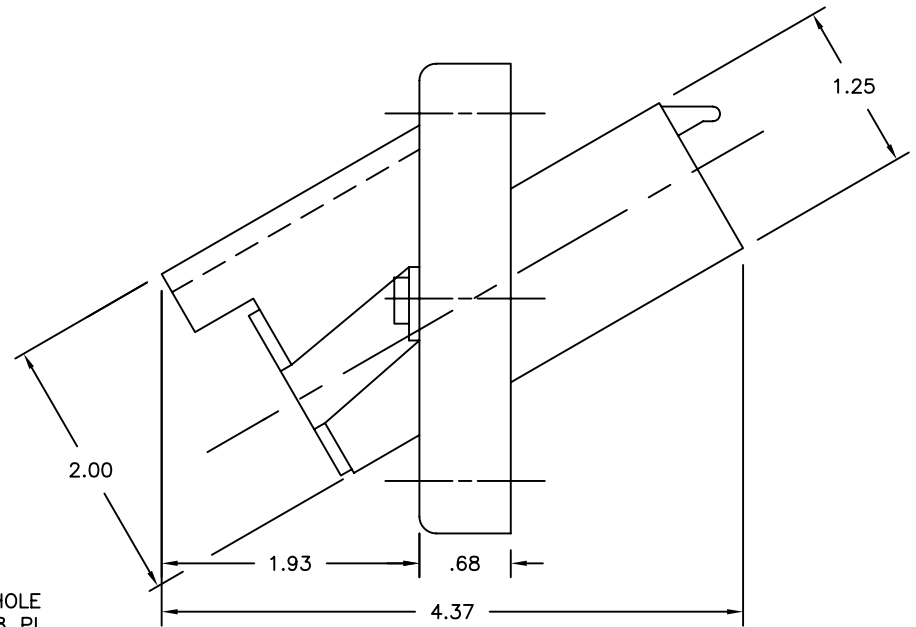
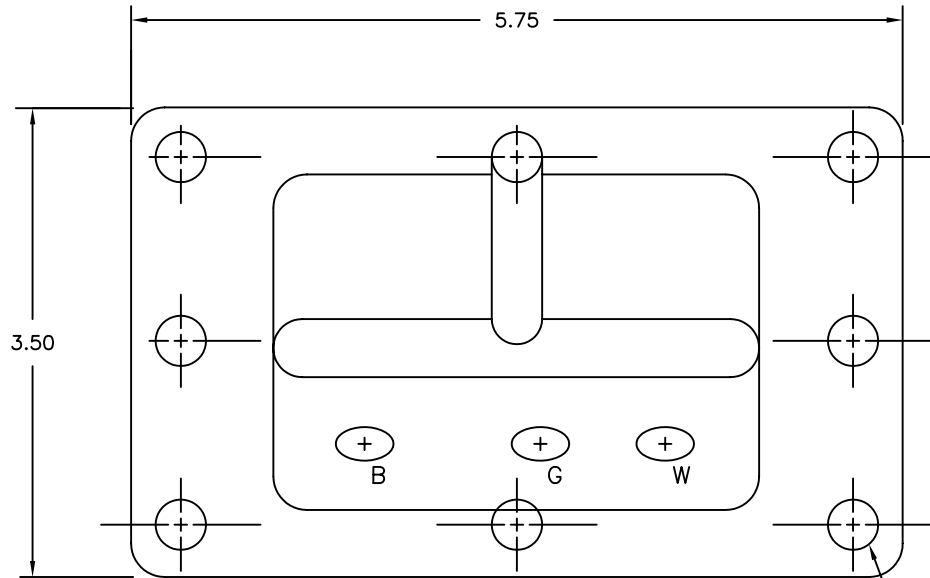



REVISIONS				
ZONE	REV	DESCRIPTION	DATE	APPROVED



MTG HOLE
TYP. 8 PL.

THIS DRAWING/SPECIFICATION CONTAINS PROPRIETARY INFORMATION OF THE J.B. NOTTINGHAM AND CO., INC./DURALINE, WHICH SHALL NOT BE PUBLISHED, REPRODUCED, COPIED, FURTHER DISCLOSED AS THE BASIS OF MANUFACTURE FOR OR SALE OF APPARATUS TO OTHERS THAN THE J.B. NOTTINGHAM AND CO., INC., EXCEPT BY WRITTEN PERMISSION OF A DULY AUTHORIZED REPRESENTATIVE OF SAID COMPANY.

DIMENSIONS IN INCHES UNLESS OTHERWISE NOTED. TOLERANCES:		FINAL ASSEMBLY - 3FR50			
FRAC.	DEC.	ANG.	 DIV. OF J.B. NOTTINGHAM 75 HOFFMAN LANE ISLANDIA, NY 11749		
MATERIAL:					APPROVALS
FINISH :			DRAWN	TG	3/12/81
DO NOT SCALE DRAWING			CHECKED	DR	9/19/02
			ISSUED		
SIZE		FSCM NO.	DWG. NO.	REV.	
A		16998	SM102800		
SCALE			SHEET		