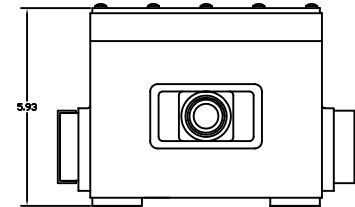
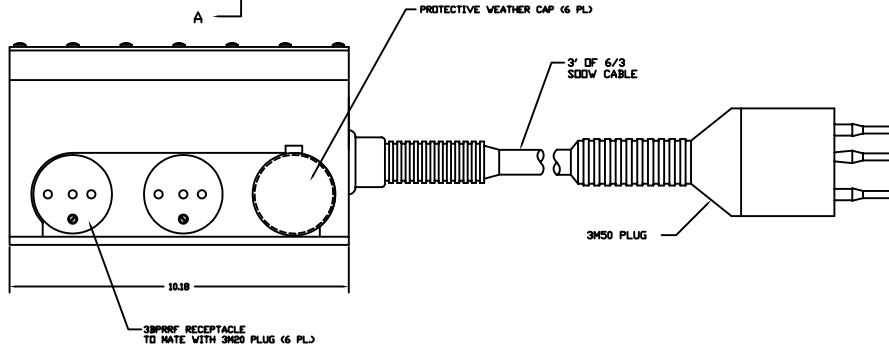
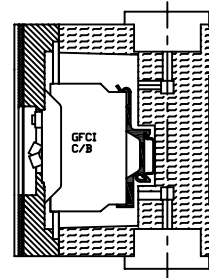
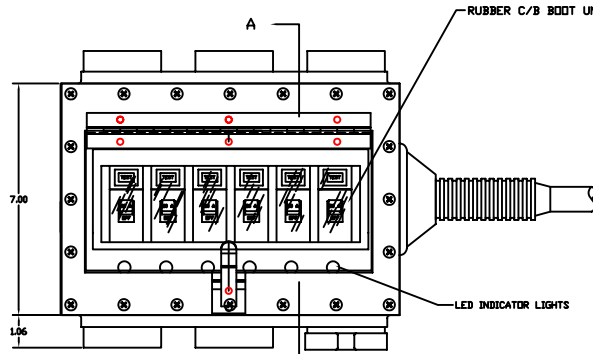



THIS DRAWING/SPECIFICATION CONTAINS PROPRIETARY INFORMATION OF THE J.B. NOTTINGHAM AND CO., INC./DURALINE, WHICH SHALL NOT BE PUBLISHED, REPRODUCED, COPIED, FURTHER DISCLOSED AS THE BASIS OF MANUFACTURE FOR OR SALE OF APPARATUS TO OTHERS THAN THE J.B. NOTTINGHAM AND CO., INC. EXCEPT BY WRITTEN PERMISSION OF A DULY AUTHORIZED REPRESENTATIVE OF SAID COMPANY.

REVISIONS				
ZONE	LTR	DESCRIPTION	DATE	APPROVED



		UNLESS OTHERWISE SPECIFIED DIMENSIONS ARE IN INCHES TOLERANCES ON FRACTIONS DECIMALS ANGLES	DRAWING STARTED DATE	<b>3BP20-6RR-6CB-GFCI BREAKER PANEL ON 3' OF 6/3 CABLE W/3M50 PLUG</b>  DIV. J.B. NOTTINGHAM 75 HOFFMAN LANE ISLANDIA, NY 11749	
		MATERIAL:	DRAWN TP 9/4/03		
		FINISH:	CHECKED		
			ENGR		
NEXT ASSY	USED ON			SIZE CODE IDENT NO DWG. NO. <b>C 16998 SM181201-006B-003-BLK</b>	REV.
APPLICATION				SCALE	SHEET