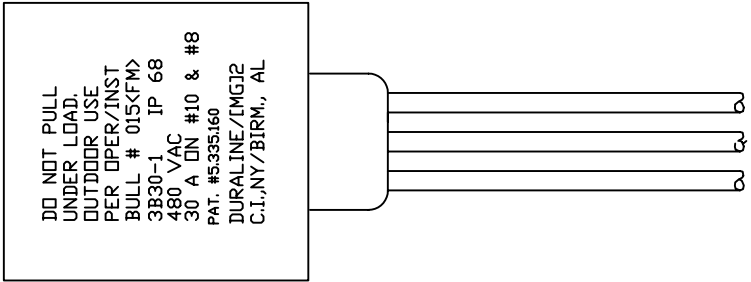
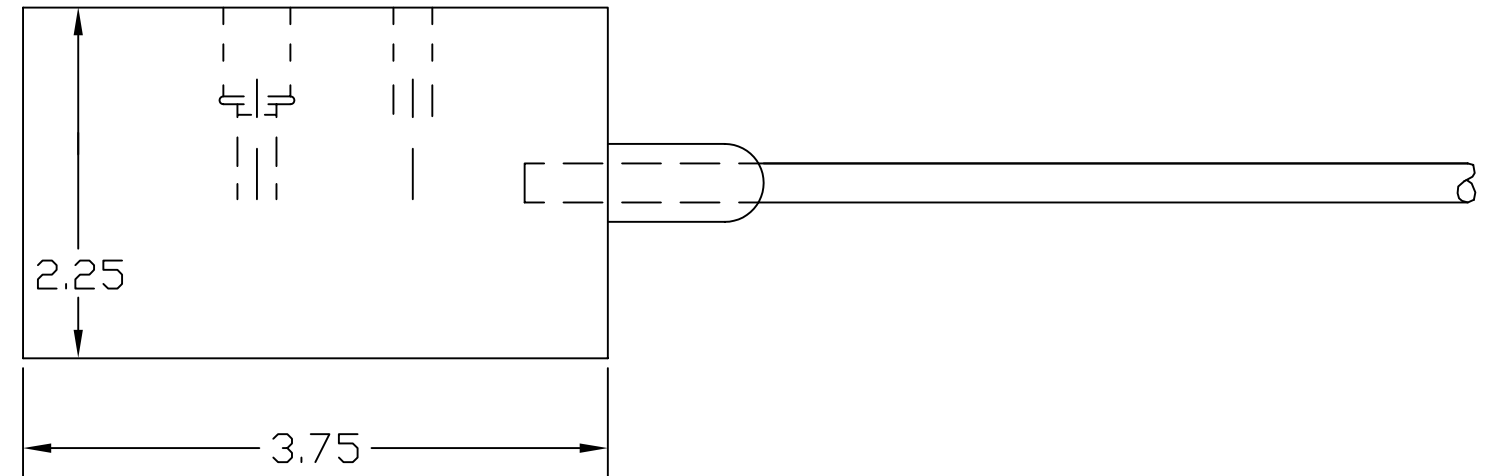
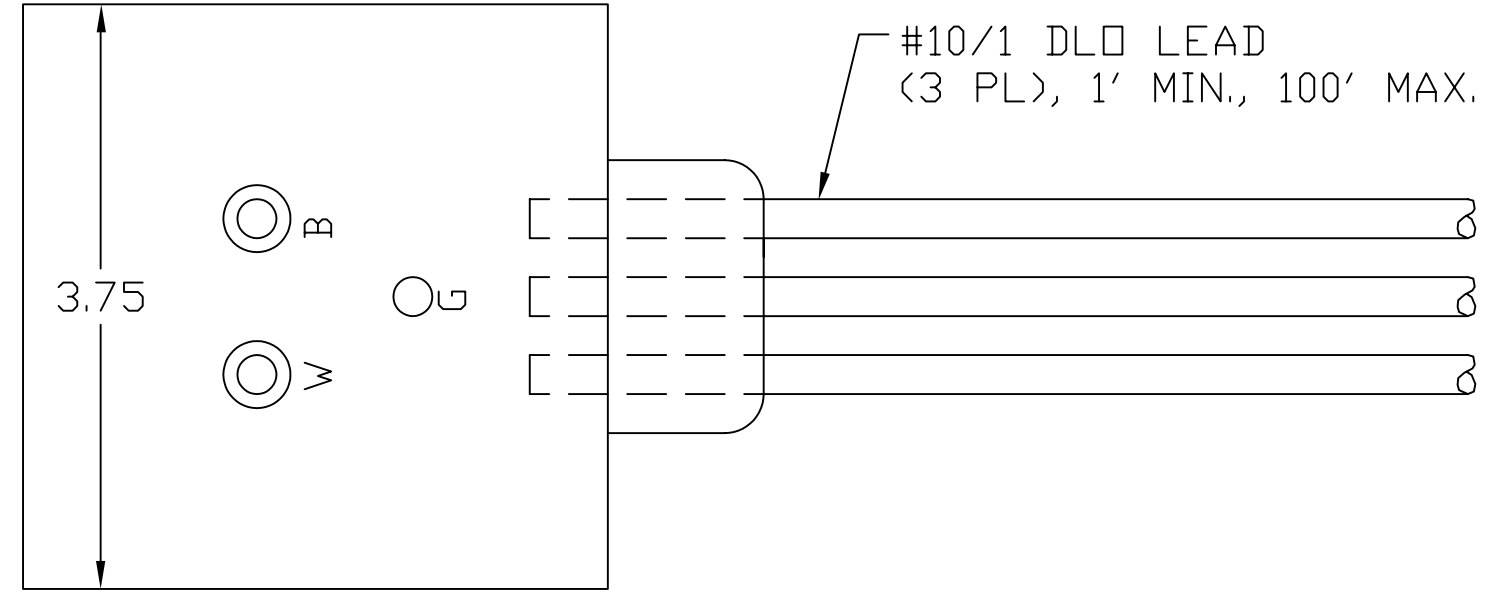



THIS DRAWING/SPECIFICATION CONTAINS PROPRIETARY INFORMATION OF THE J.B. NOTTINGHAM AND CO., INC.,/ DURALINE, WHICH SHALL NOT BE PUBLISHED, REPRODUCED, COPIED, FURTHER DISCLOSED AS THE BASIS OF MANUFACTURE FOR OR SALE OF APPARATUS TO OTHERS THAN THE J.B. NOTTINGHAM AND CO., INC., EXCEPT BY WRITTEN PERMISSION OF A DULY AUTHORIZED REPRESENTATIVE OF SAID COMPANY.

REVISIONS			
REV.	DESCRIPTION	DATE	APPROVED



MARKINGS (BOTTOM)

QTY.	CODE	PART NUMBER	NOMENCLATURE OR DESCRIPTION	MATERIAL	ITEM
HYPALON PARTS LIST					
DIMENSIONS IN INCHES UNLESS OTHERWISE NOTED. TOLERANCES:			3B30-1 DN (3) 10/1 LEADS		
FRAC.	DEC.	ANG.	APPROVALS	DATE	 <small>DIVISION OF J.B. NOTTINGHAM & CO., INC. 75 HOFFMAN LANE, ISLANDIA, NY 11749</small>
MATERIAL: BODY IS MOLDED			DRAWN T.P.	12/23/96	
FINISH:			CHECKED D.R.	4/4/02	
DO NOT SCALE DRAWING			ISSUED		
			SIZE A	FSCM NO. 16998	DWG. NO. SM170508
			SCALE		SHEET