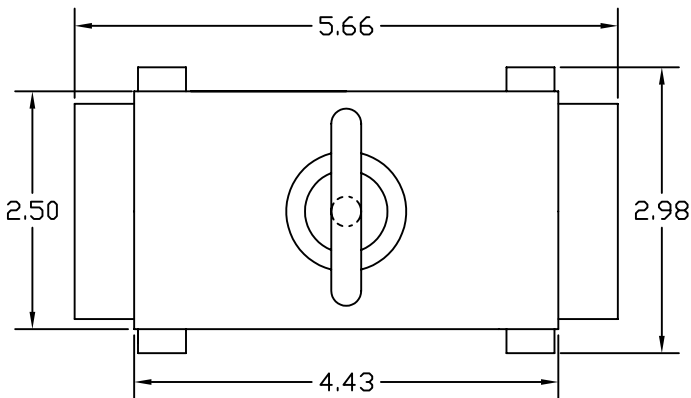
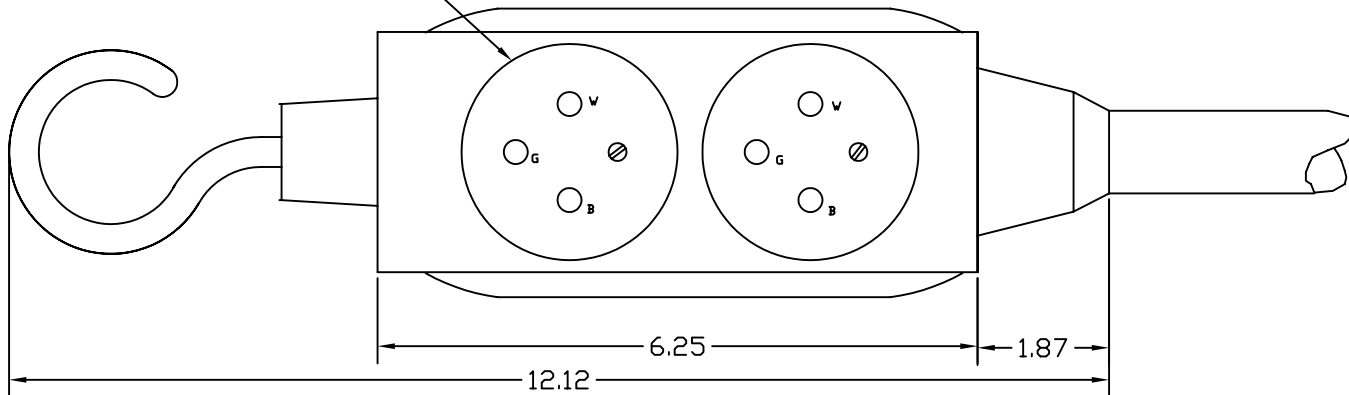



THIS DRAWING/SPECIFICATION
CONTAINS PROPRIETARY
INFORMATION OF THE J.B.
NOTTINGHAM AND CO., INC./
DURALINE, WHICH SHALL NOT BE
PUBLISHED, REPRODUCED, COPIED,
FURTHER DISCLOSED AS THE
BASIS OF MANUFACTURE FOR
OR SALE OF APPARATUS TO
OTHERS THAN THE J.B.
NOTTINGHAM AND CO., INC.,
EXCEPT BY WRITTEN PERMISSION
OF A DULY AUTHORIZED
REPRESENTATIVE OF SAID
COMPANY.

REVISIONS			
REV.	DESCRIPTION	DATE	APPROVED

RECEPTACLES ARE REPLACEABLE



QTY.	CODE	PART NUMBER	NOMENCLATURE OR DESCRIPTION	MATERIAL	ITEM
PARTS LIST					
DIMENSIONS IN INCHES UNLESS OTHERWISE NOTED. TOLERANCES:			3B20-4RR DIST. BLOCK		
FRAC.	DEC.	ANG.			
MATERIAL: BODY IS MOLDED HYPALON			APPROVALS	DATE	 DIV. J.B. NOTTINGHAM 75 HOFFMAN LANE ISLANDIA, NY 11749
FINISH:			DRAWN T.P.	1/23/95	
DO NOT SCALE DRAWING			CHECKED	ISSUED	SIZE A FSCM NO. 16998 DWG. NO. SM11070X REV.
				SCALE	SHEET 1 OF 1