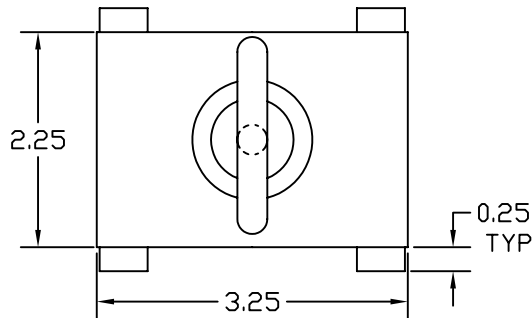
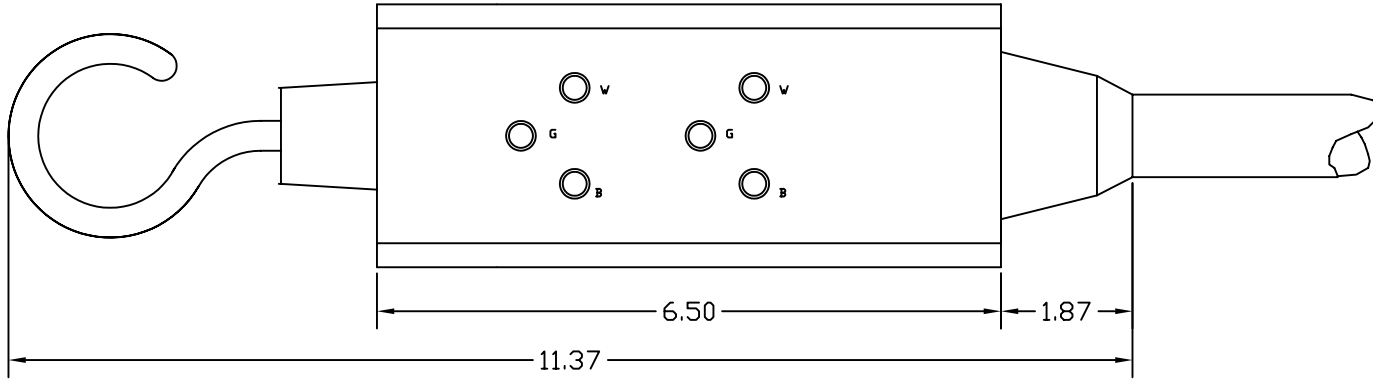


THIS DRAWING/SPECIFICATION
CONTAINS PROPRIETARY
INFORMATION OF THE J.B
NOTTINGHAM AND CO., INC./
DURALINE, WHICH SHALL NOT BE
PUBLISHED, REPRODUCED, COPIED,
FURTHER DISCLOSED AS THE
BASIS OF MANUFACTURE FOR
OR SALE OF APPARATUS FOR
OTHERS THAN THE J.B.
NOTTINGHAM AND CO., INC.,
EXCEPT BY WRITTEN PERMISSION
OF A DULY AUTHORIZED
REPRESENTATIVE OF SAID
COMPANY.

REVISIONS			
REV.	DESCRIPTION	DATE	APPROVED



DIMENSIONS IN INCHES UNLESS OTHERWISE NOTED. TOLERANCES:			3B20-4 DIST. BLOCK	
FRAC.	DEC.	ANG.	APPROVALS	DATE
MATERIAL: BODY IS MOLDED HYPALON			DRAWN T.P.	1/23/95
FINISH:			CHECKED	
DO NOT SCALE DRAWING			ISSUED	
SIZE A		FSCM NO. 16998	DWG. NO. M10880X	REV.
SCALE			SHEET 1 OF 1	