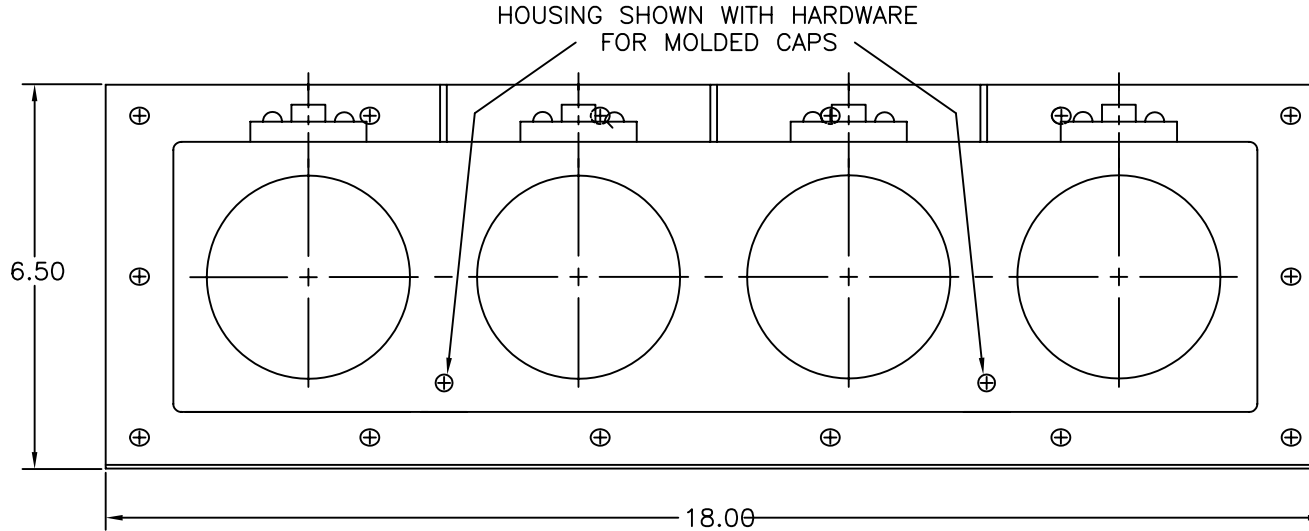
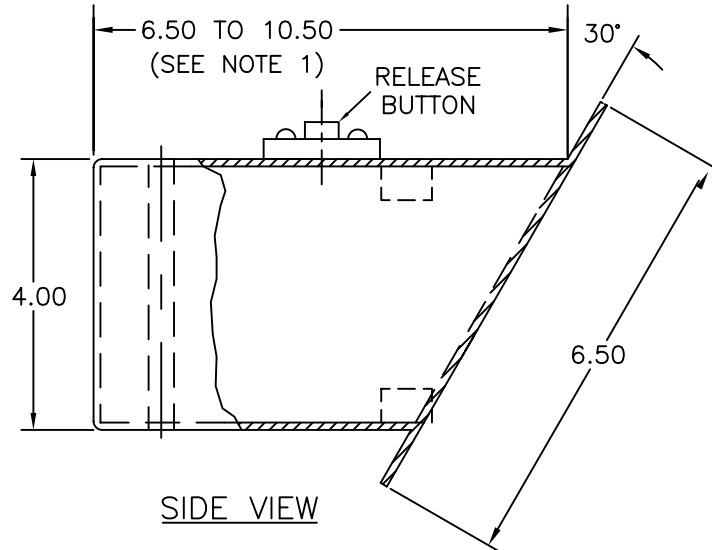


THIS DRAWING/SPECIFICATION CONTAINS PROPRIETARY INFORMATION OF THE J.B. NOTTINGHAM AND CO., INC./DURALINE, WHICH SHALL NOT BE PUBLISHED, REPRODUCED, COPIED, FURTHER DISCLOSED AS THE BASIS OF MANUFACTURE FOR OR SALE OF APPARATUS TO OTHERS THAN THE J.B. NOTTINGHAM AND CO., INC., EXCEPT BY WRITTEN PERMISSION OF A DULY AUTHORIZED REPRESENTATIVE OF SAID COMPANY.

REVISIONS				
ZONE	REV	DESCRIPTION	DATE	APPROVED




FRONT VIEW



SIDE VIEW

NOTES:

- 1) THIS DIMENSION VARIES ACCORDING TO TYPE OF RECEPTACLE BLOCKS ORDERED WITH HOUSING.
- 2) RECEPTACLE BLOCK HOUSINGS ARE AVAILABLE WITH EITHER CAPS OR SNAP BACK COVERS.
- 3) USE RECEPTACLE BLOCK ORDER FORM TO ORDER RECEPTACLE BLOCK HOUSINGS.

DIMENSIONS IN INCHES UNLESS OTHERWISE NOTED. TOLERANCES: FRAC. DEC. ANG.		30° ANGLE 4 GANG MALE RECEPTACLE BLOCK HOUSING		
MATERIAL: 12 GAUGE C.R.S.		APPROVALS	DATE	 DIV. OF J.B. NOTTINGHAM 75 HOFFMAN LANE ISLANDIA, NY 11749
FINISH : PRIME - ZINC CHROMATE FINISH - SEMI-GLOSS BLUE BAKING ENAMEL		DRAWN DR	6/2/04	
DO NOT SCALE DRAWING		CHECKED	ISSUED	
		SIZE A	FSCM NO. 16998	DWG. NO. 30D4GFHOUSING
		SCALE		REV. SHEET 1 OF 1