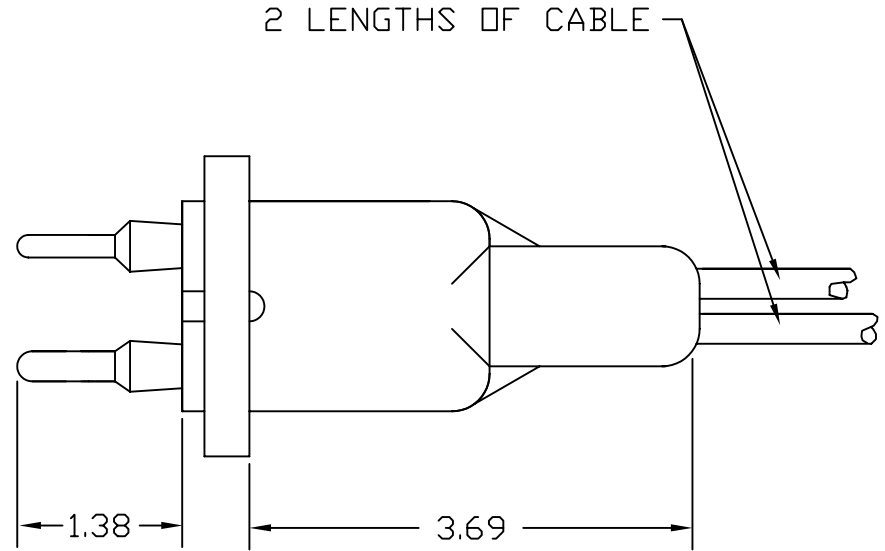
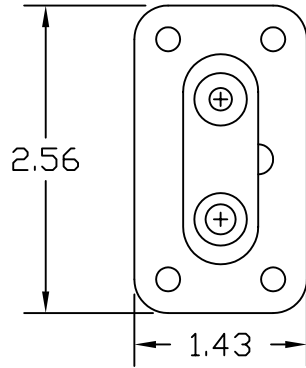



THIS DRAWING/SPECIFICATION CONTAINS PROPRIETARY INFORMATION OF THE J.B. NOTTINGHAM AND CO., INC., DURALINE, WHICH SHALL NOT BE PUBLISHED, REPRODUCED, COPIED, FURTHER DISCLOSED AS THE BASIS OF MANUFACTURE FOR OR SALE OF APPARATUS TO OTHERS THAN THE J.B. NOTTINGHAM AND CO., INC., EXCEPT BY WRITTEN PERMISSION OF A DULY AUTHORIZED REPRESENTATIVE OF SAID COMPANY.

REVISIONS			
REV.	DESCRIPTION	DATE	APPROVED



DIMENSIONS IN INCHES UNLESS OTHERWISE NOTED. TOLERANCES: FRAC. DEC. ANG.			2MR30-POL, POLARIZED MALE RECEPT. QN #10 DLO - NASA J.P.L.			
	APPROVALS	DATE	 DIV. J.B. NOTTINGHAM 75 HOFFMAN LANE ISLANDIA, NY 11749			
MATERIAL:	DRAWN TP	3/21/01				
FINISH:	CHECKED		SIZE	FSCM NO.	DWG. NO.	REV.
	ISSUED		B	16998	SM178300	
			SCALE		SHEET	