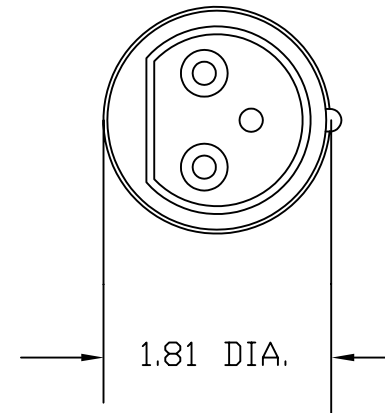
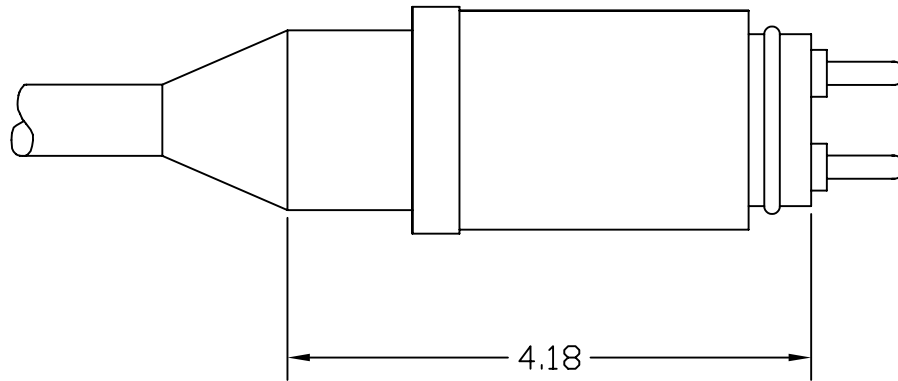


THIS DRAWING/SPECIFICATION
 CONTAINS PROPRIETARY
 INFORMATION OF THE J.B.
 NOTTINGHAM AND CO., INC.,/
 DURALINE, WHICH SHALL NOT BE
 PUBLISHED, REPRODUCED, COPIED,
 FURTHER DISCLOSED AS THE
 BASIS OF MANUFACTURE FOR
 OR SALE OF APPARATUS TO
 OTHERS THAN THE J.B.
 NOTTINGHAM AND CO., INC.,
 EXCEPT BY WRITTEN PERMISSION
 OF A DULY AUTHORIZED
 REPRESENTATIVE OF SAID
 COMPANY.

REVISIONS			
REV.	DESCRIPTION	DATE	APPROVED



QTY.	CODE	PART NUMBER	NOMENCLATURE OR DESCRIPTION			MATERIAL	ITEM
PARTS LIST							
DIMENSIONS IN INCHES UNLESS OTHERWISE NOTED. TOLERANCES:			15MP-3 CONNECTOR				
FRAC.	DEC.	ANG.					
APPROVALS			DATE		DURALINE		
DRAWN T.P.			6/23/4				
CHECKED					DIV. J.B. NOTTINGHAM 75 HOFFMAN LANE ISLANDIA, NY 11749		
ISSUED							
FINISH:			SIZE	FSCM NO.	DWG. NO.	SM113100	REV.
DO NOT SCALE DRAWING			A	16998			
			SCALE			SHEET	