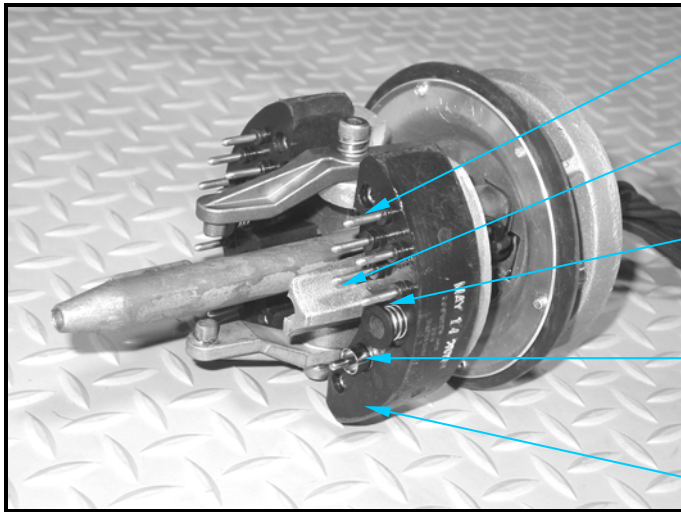


Duraline

[MG]² INC.
www.LoweringSystems.com



15 Wire Male Connector + Coax

1/8" diameter contacts with integrally molded, rain-tight sealing shoulders

(2) Ground contacts (longer than other contacts) make first - break last

Spring-assisted disconnect

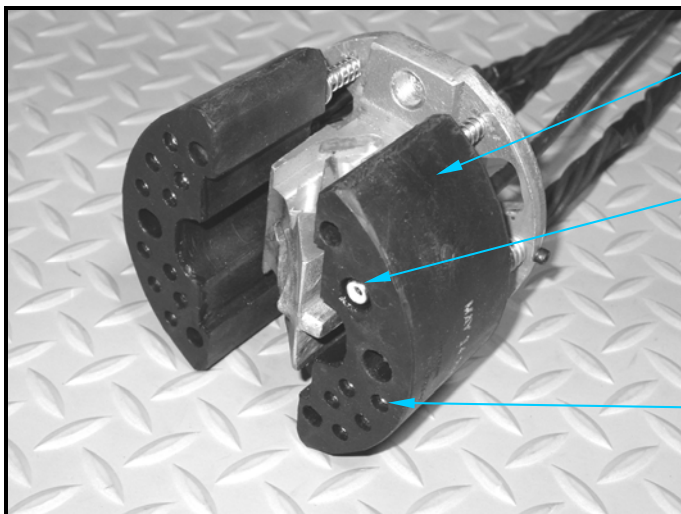
Premium quality Gold-Plated Coaxial connector for video connection w/custom machined solid copper-alloy shielding shell.

Molded Hypalon, thermosetting synthetic polymer

Molded Hypalon, thermosetting synthetic polymer

Premium quality Gold-Plated Coaxial connector for video connections w/custom machined solid copper-alloy shielding shell.

1/8" I.D. female contacts recessed 1/8" deep into face of connector. Cored hole of recess is 1/4" diameter and creates a rain-tight seal when mated with the male connector.



15 Wire Female Connector + Coax

The molded female and male socket connector bodies shall be made of thermosetting synthetic polymer known as Hypalon.

The current carrying male contacts shall be 1/8" in diameter. There shall be two male contacts that are longer than all others which will allow them to make first and break last, providing optimum grounding performance. Fifteen 1/8" diameter contacts rated for 1 volt peak-to-peak shall be provided along with a separate coaxial video connector. The camera mounted thereto, shall be capable of performing all of its necessary functions using this configuration of contacts.

The current carrying female contacts are rated for 1 volt peak-to-peak and shall be 1/8" I.D. All of these contacts shall be recessed 1/8" from the face of the connector. Cored holes molded into the rubber face of the connector body, measuring 1/4" diameter and 1/8" deep, are centered on each contact to create rain-tight seals when mated with the male connector.

The wire leads are mechanically crimped to both the male and female 1/8" diameter contacts, and the contacts shall be permanently and integrally molded in the polymer Hypalon body. The wires shall be constructed of #18/1 AWG Hypalon-jacketed wire. The Coaxial connectors are silver-soldered to 20Awg, UL, Belden *Video Brilliance* RG Type 59B/U, solid copper, 75 ohm, Dual-Shielded Coaxial cable, which is installed and bonded to the Hypalon body.

The 1/8" contacts shall be self-wiping with a shoulder at the base of each male contact so that they will recess into the molded female receptacle body, thereby giving a rain-tight seal when mated. These connectors are manufactured to meet Mil Spec Q-9858 and Mil Spec I-45208.